



I      DE      **Einbauanleitung  
Dezentrales Lüftungssystem mit  
Wärmerückgewinnung Typ Ne<sup>xx</sup>t  
Einbaugehäuse**

- Bitte an den Nutzer weiterleiten -

II      EN      **Installation Manual  
Decentralised Ventilation System  
with Heat Recovery Type Ne<sup>xx</sup>t  
Wall housing**

- Please pass on to user -

Content	Page:
Reference these directions, safety instruction, waste disposal	18
Dimension drawings	19
Wall housing	20
Technical data, mounting position, assembly features, area of application	21
Installation examples	22
Dispatch units	23
Installation - Flap close-off	25
Installation - Surface mounting	26
Installation - Concealed installation	28
Installation - Installation of exterior panels	29
Electrical connection - wiring diagrams	30

### Reference these directions

- These directions describe the surface mounting and concealed installation of the decentralized ventilation devices with heat recovery Type Ne<sup>xx</sup>t
- Before the installation, read these directions through carefully and completely! It is absolutely necessary to consider the general notes on safety and the safety symbols with notes in the text.
- These directions are to be handed over to the user on completion of the installation (tenant, owner, building administration etc.).



This symbol warns you of the danger of injury .



This symbol warns you of the danger of injury through electric current .

### Notes on safety



**Caution!** All assembly work on the ventilation device may be implemented only with all-pole disconnected mains voltage!



**Attention!** The electrical connection may be carried out by authorized skilled personnel only and according to valid VDE 0100!



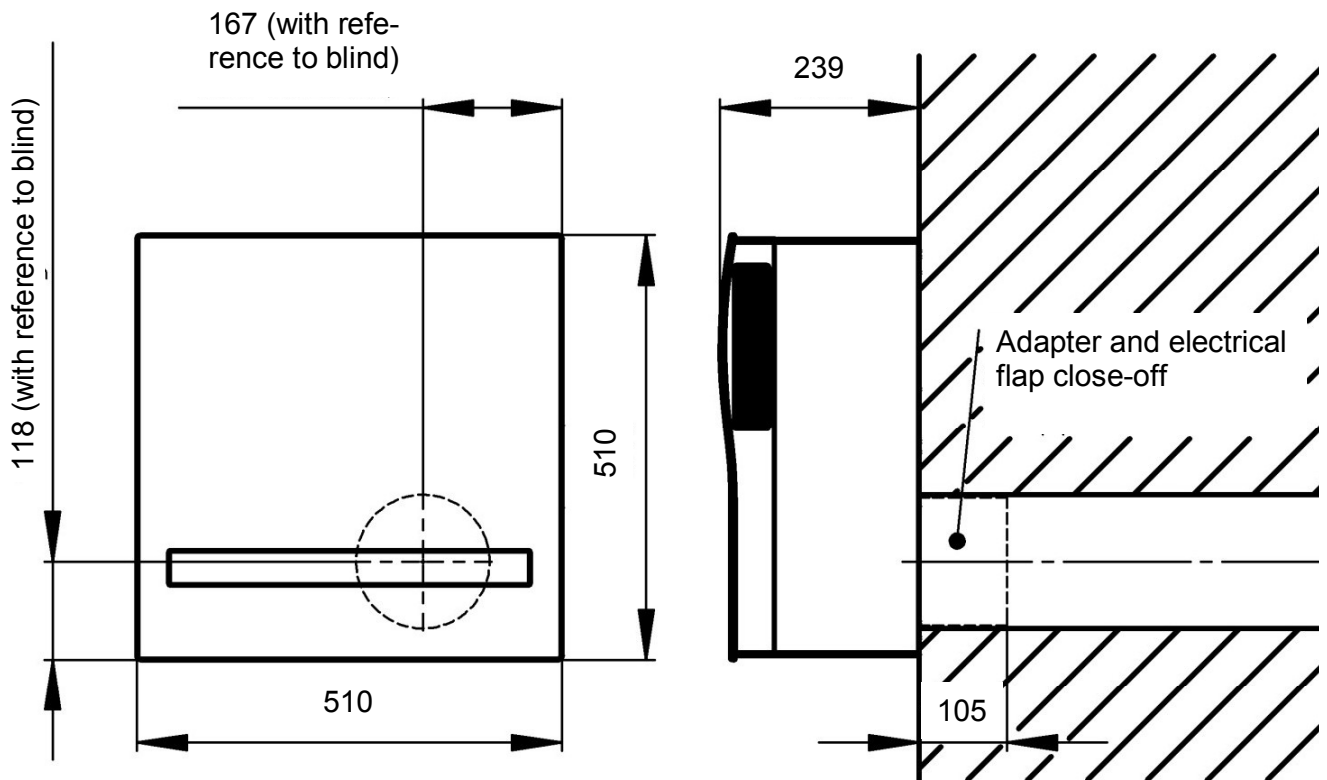
**Attention!** This device (filter change/cleaning) may not be operated by children and persons who are not capable of safely operating it due to their physical, sensory or intellectual capabilities or their inexperience or lack of knowledge. Children should be supervised in order to ensure that they do not play with the device.

### Waste disposal

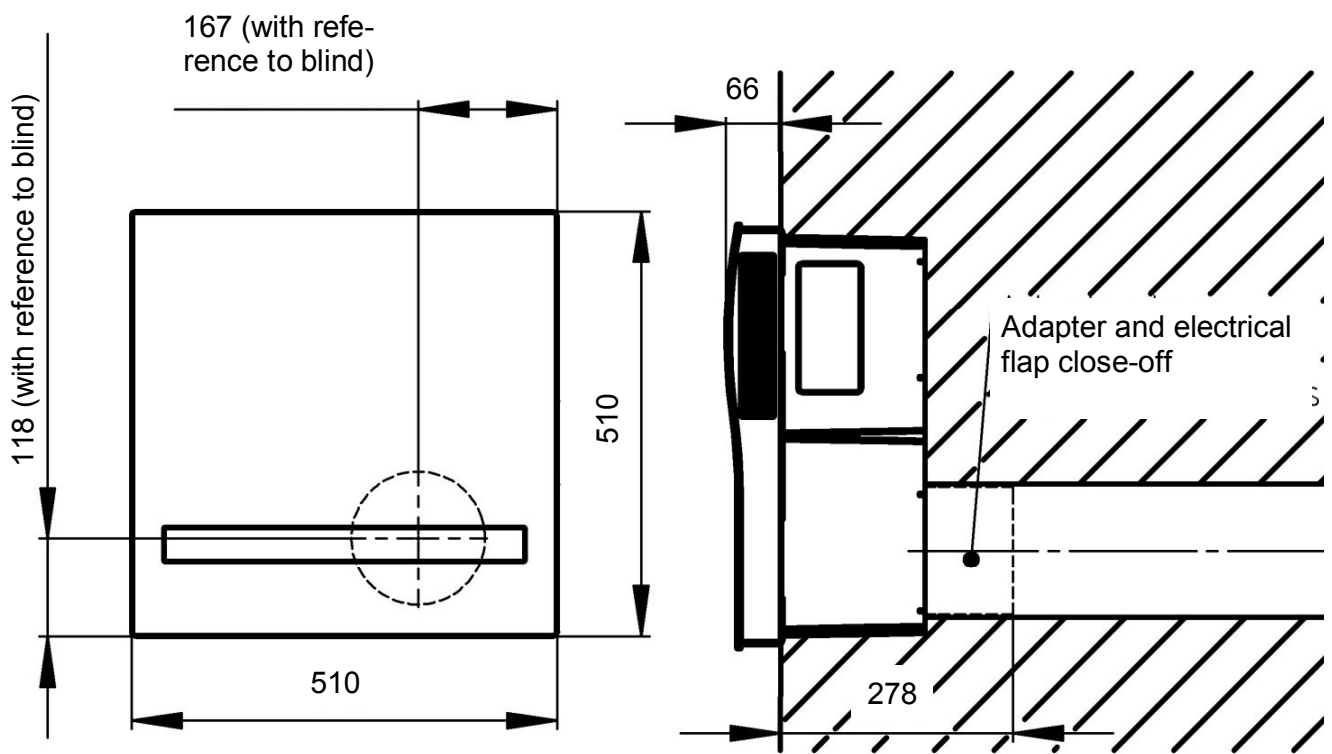


Dispose of the packaging sorted according to material. If you wish to detach anything from the device, dispose of it according to current stipulations. The communal agency can provide information.

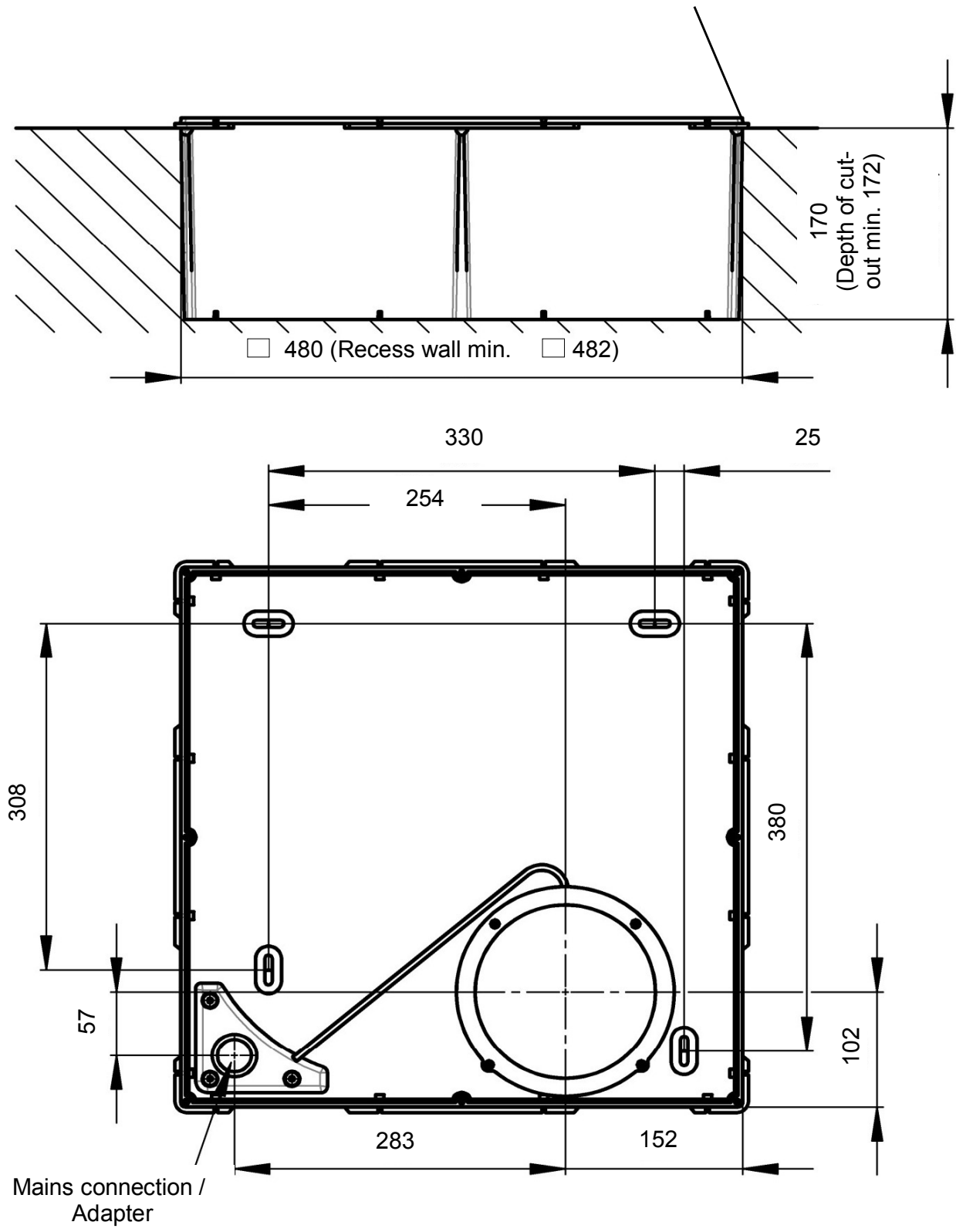
Ne<sup>xt</sup> - surface mounted



Ne<sup>xt</sup> - concealed mounted



Caution! The surrounding claws must be with its upper edge plaster-flush in the finished plaster below! This is of decisive importance for the correct function of the device.



## Technical data

EN

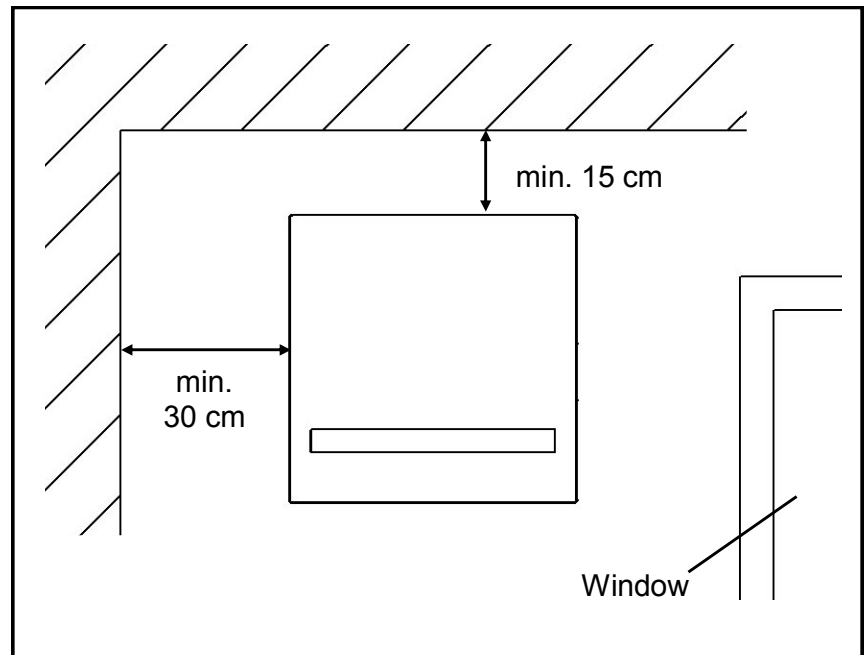
Device voltage:	230 V AC 50 Hz
Control voltage:	1 -10 V DC SELV
Electrical power consumption:	5,7-40/46,5 W
Protection type:	IP 22
Volume flow:	15-90/115 m <sup>3</sup> /h

## Installation position

Mount the ventilation device with a recommended lateral minimum separation distance of 30 cm and a recommended minimum separation distance of 15 cm above and below.

The side separation distance serves to ensure the ventilation function, the separation distance above and below the assembly freedom.

We recommend to install the device at an altitude of 1,50 meters to ensure a user-friendly operating.



## Installation features

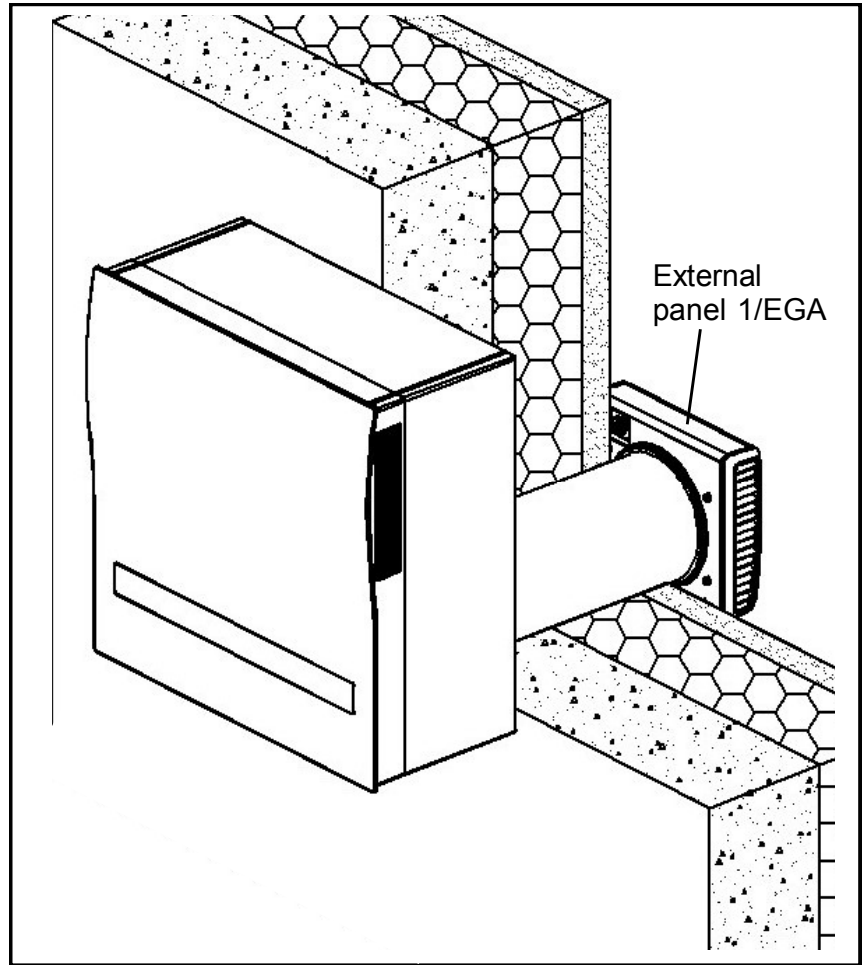
- The ventilation device must be installed indoors vertically on an external wall.
- Only one installation position is possible and this should indicate air ports to the right and left above.
- The ventilation device must always be freely accessible for operation and maintenance, the air ports may not be built over, adjusted or covered
- In case of retrofit installation, make sure that there are no supply lines lie (e.g. gas, water, current) in the area of the wall break-through
- Make sure that the wall break-through corresponds to the local requirements, as appropriate pull in a lintle

## Area of application

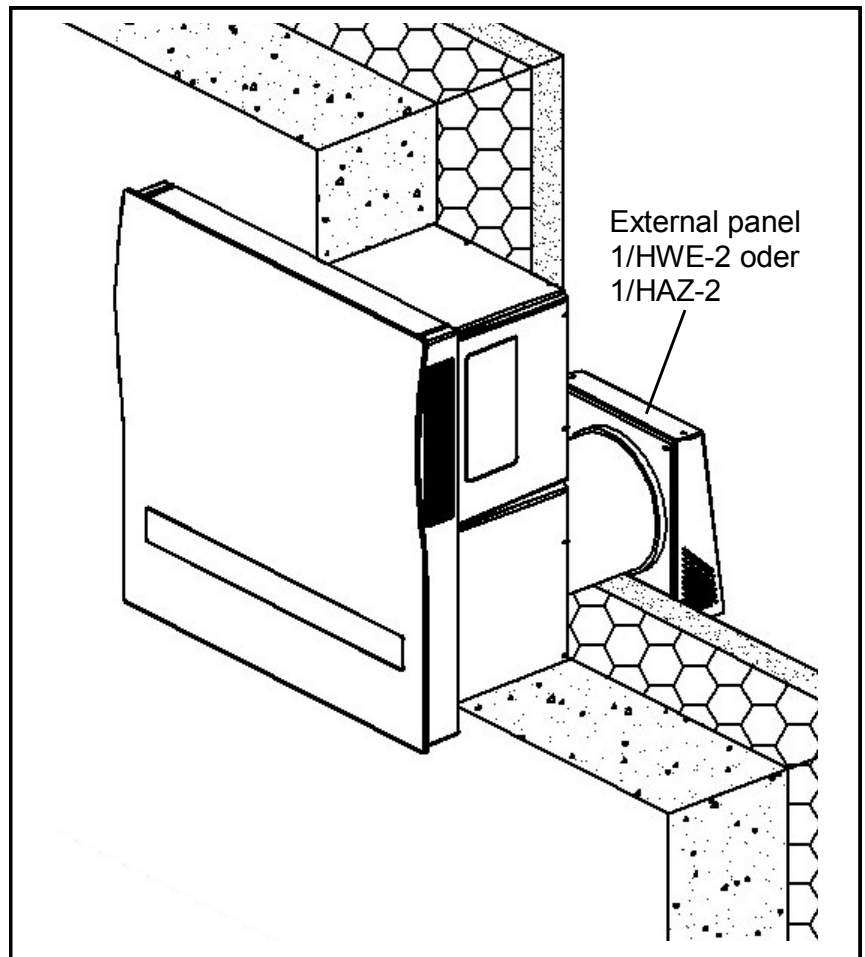
Temperature application range: - 15°C to 40°C +

Can be used with a relative air humidity level up to 65% in the indoor area (not condensing). In case of exceeding the employment limits, switch off the device and close off inside screen. Ensure a fresh air supply through window ventilation.

Surface installation

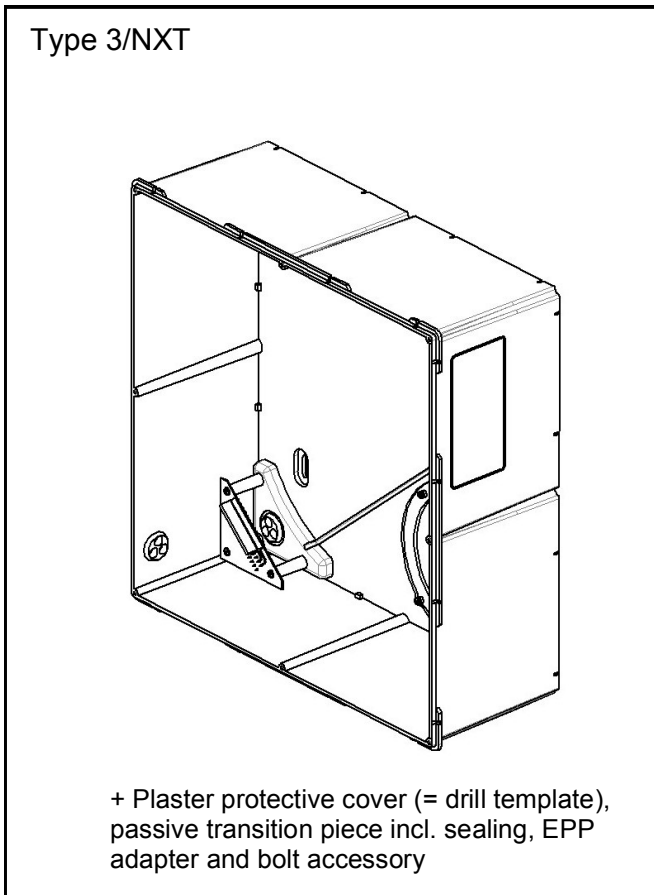


Concealed installation

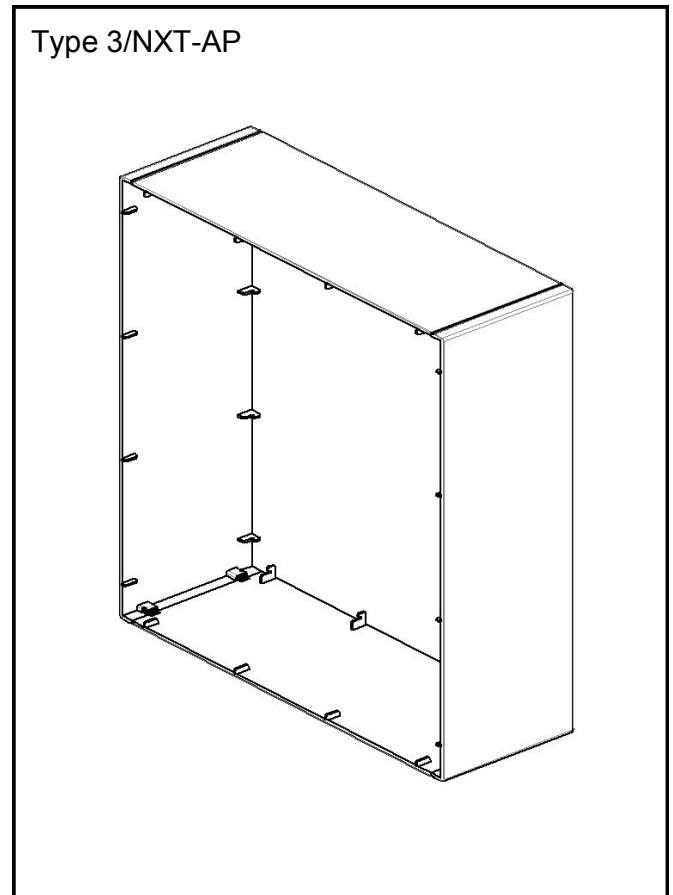


Check the delivery for completeness and trouble-free status!

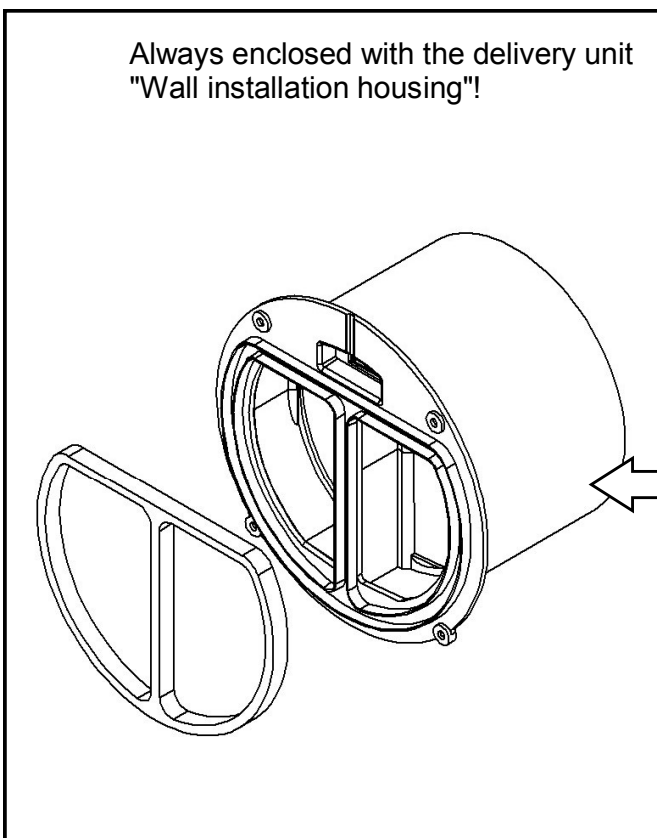
**Wall installation housing**



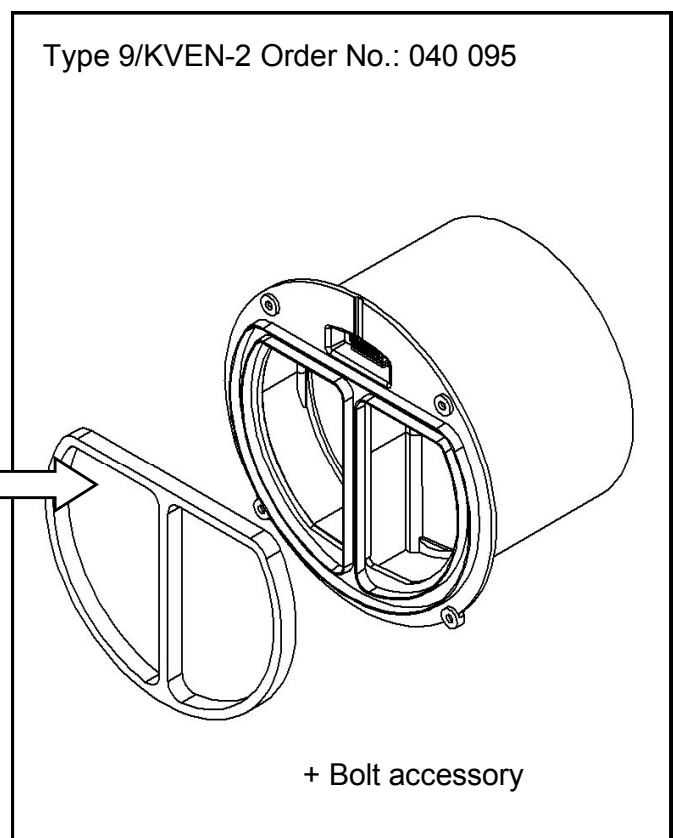
**Surface-mounting set**



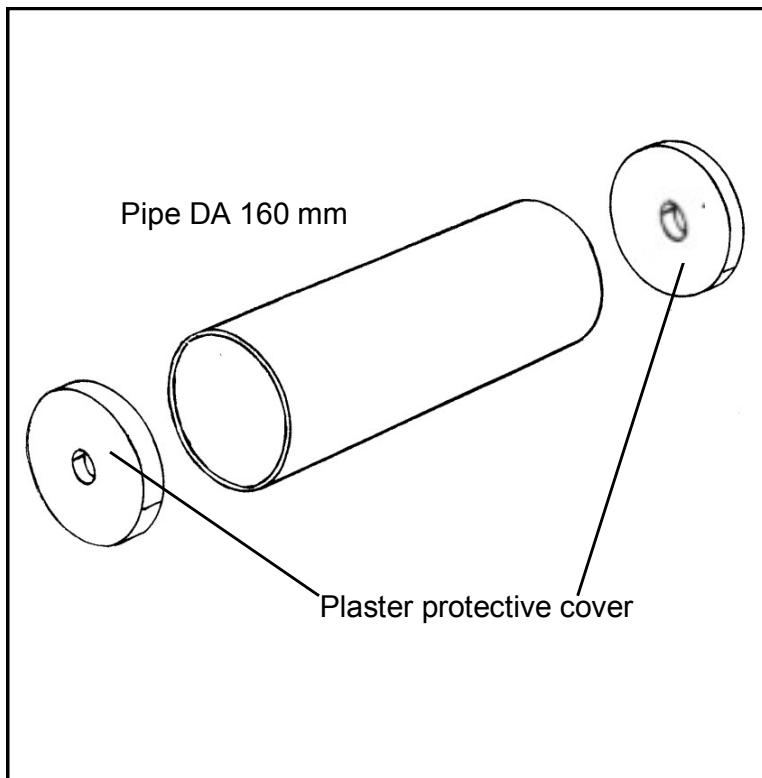
**passive transition piece**



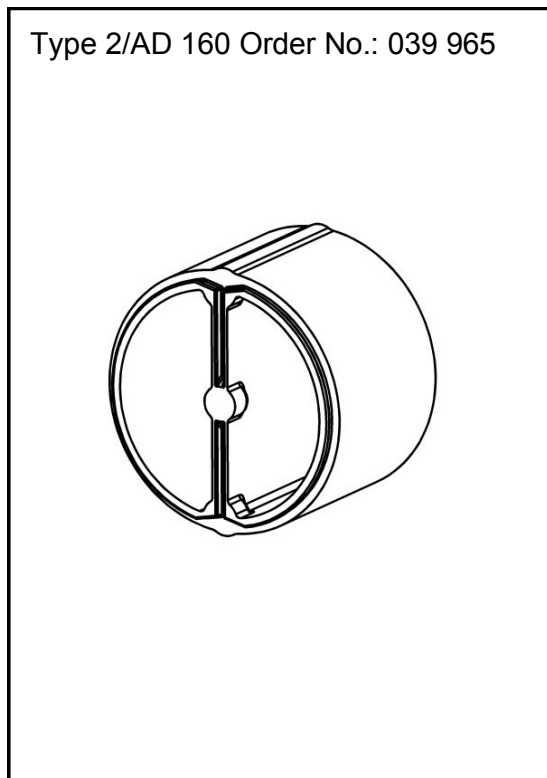
**Electrical flap close-off**



**Round conduit for wall break-through**



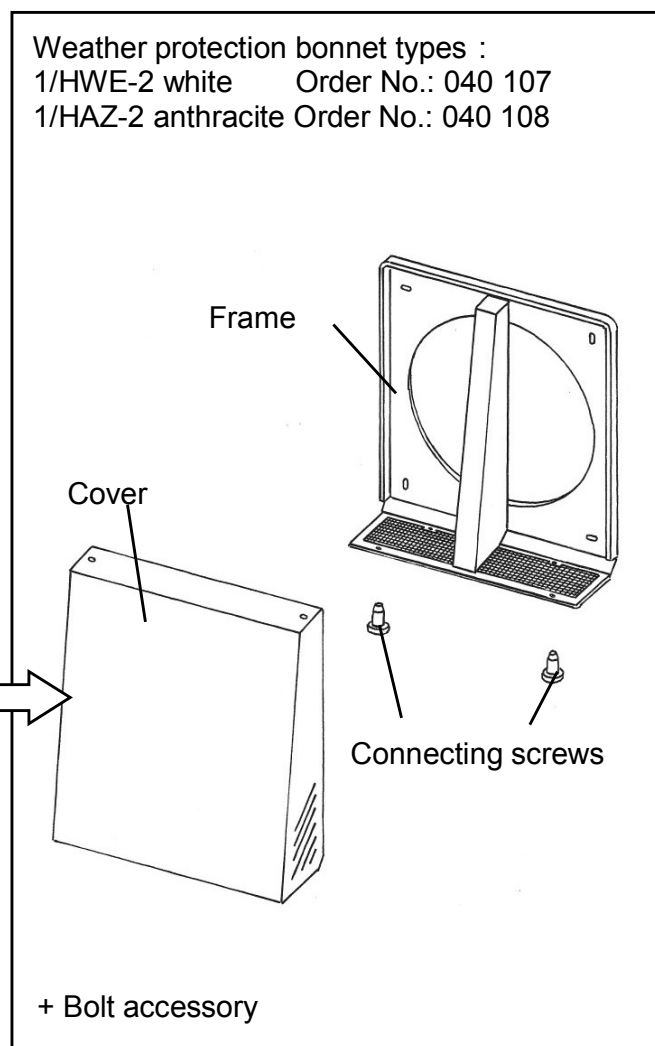
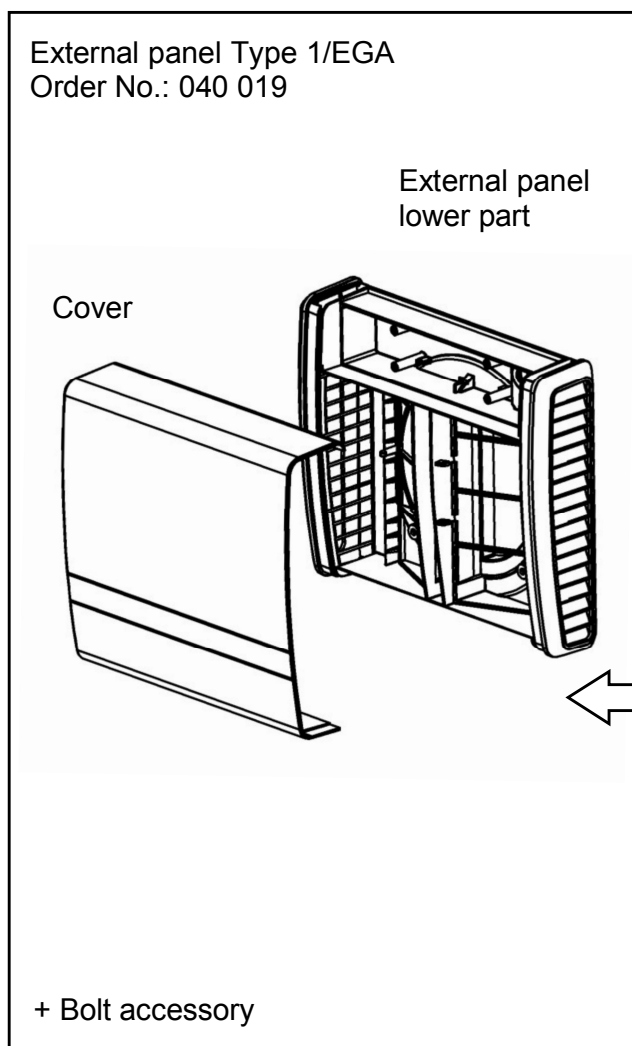
**EPP adapter**



**External close-offs**

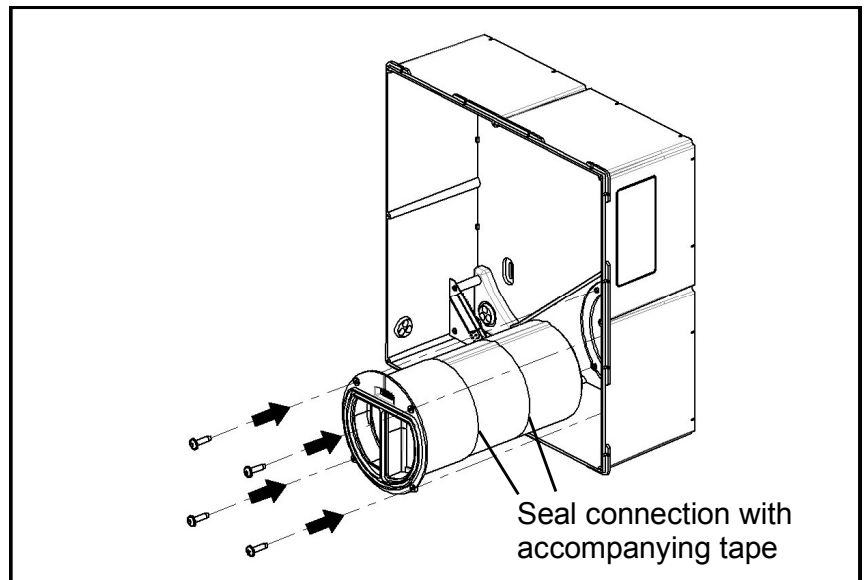
Either

Or





Connect the EPP adapter in the required length to the electrical flap closure or the passive transition piece and seal all connections with the supplied insulation tape. Insert the unit from EPP adapters and electrical flap closure or the passive transition piece from the inside into the wall housing and secure it with the screws.

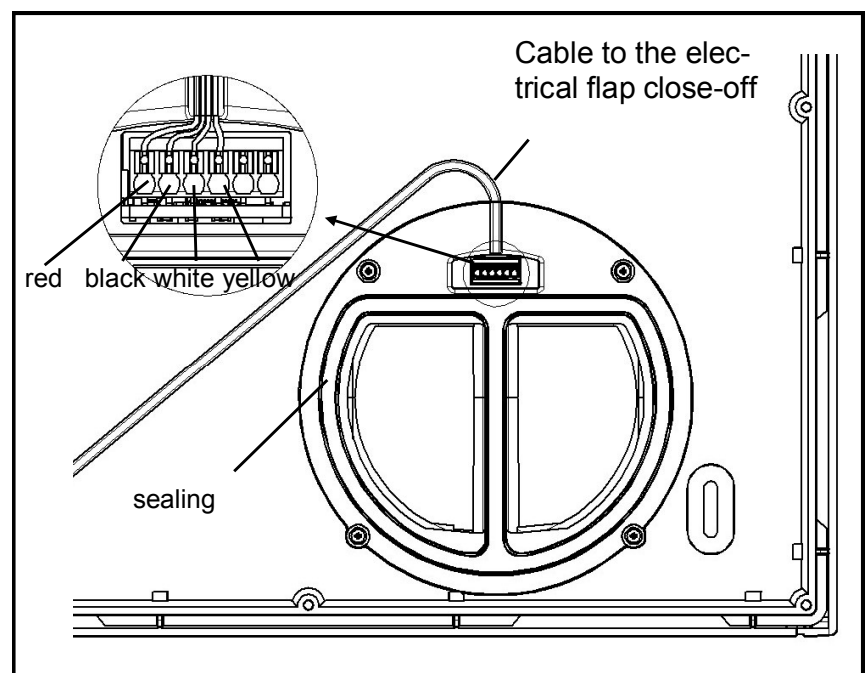


Strip the insulation from the cable to the electrical flap close-off 5-7mm and connect the electrical flap close-off.

**A separate assembly instruction is enclosed with the electrical flap close-off.**

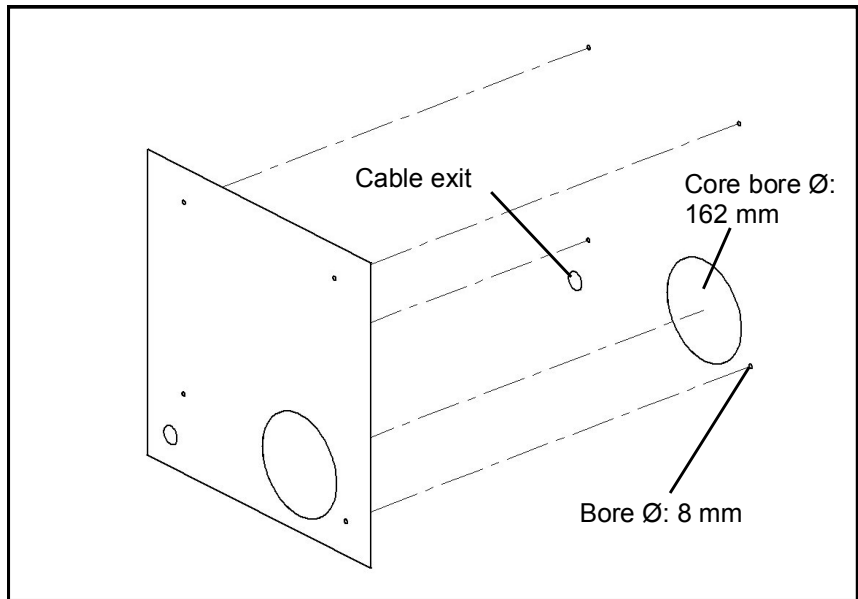
The enclosed seal is inserted between the circumferential ribs of the electric flap lock or the passive transition piece. It is a closed-cell EPDM foam that does not draw water.

To prevent the connection of ingressing condensate it must be performed waterproof.

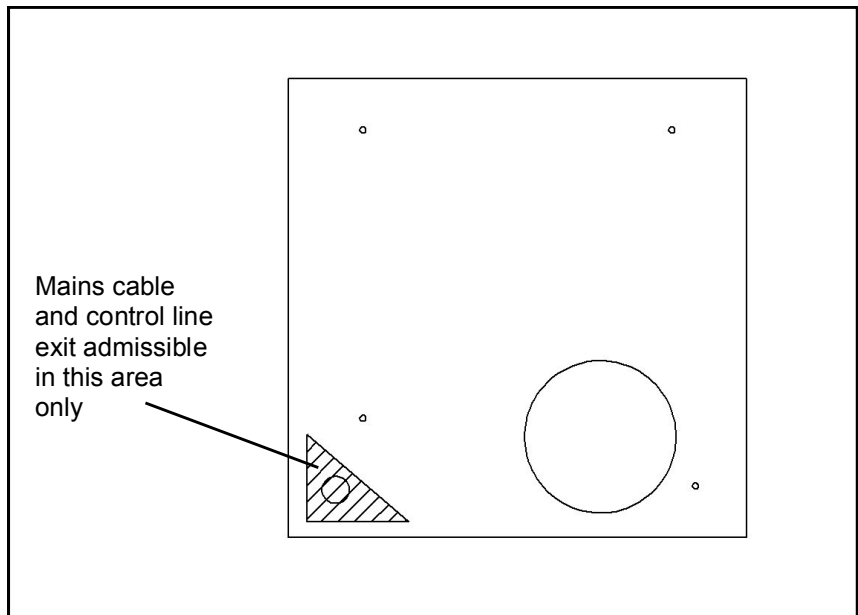


Stipulate the positions of the dowel fixing of the wall installation housing and the position of the core bore of the wall break-through pipe with the aid of the drill template (= plaster protective cover).  
 Manufacture the core bore for the wall break-through pipe.  
 Drill the holes for the wall fastening dowels.

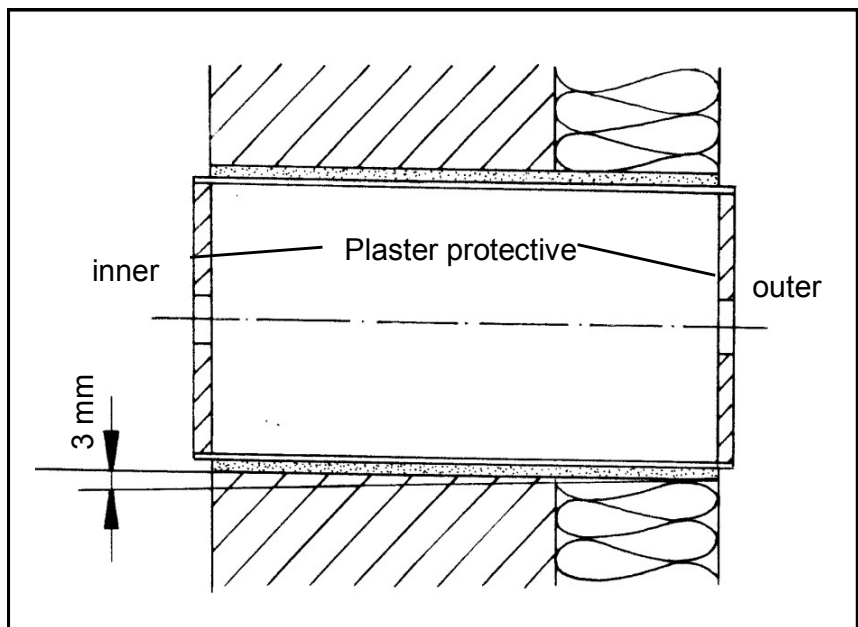
Please note the distances to neighboring components / walls.



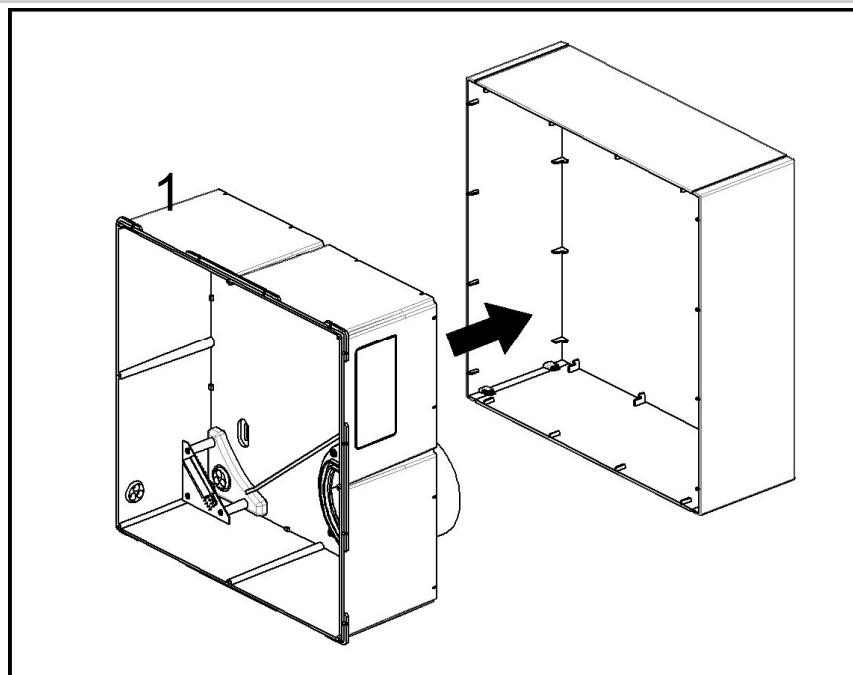
Make available the mains cable (and as appropriate, the control lines).  
 Cable exit from the wall only in the area marked on the drill template.



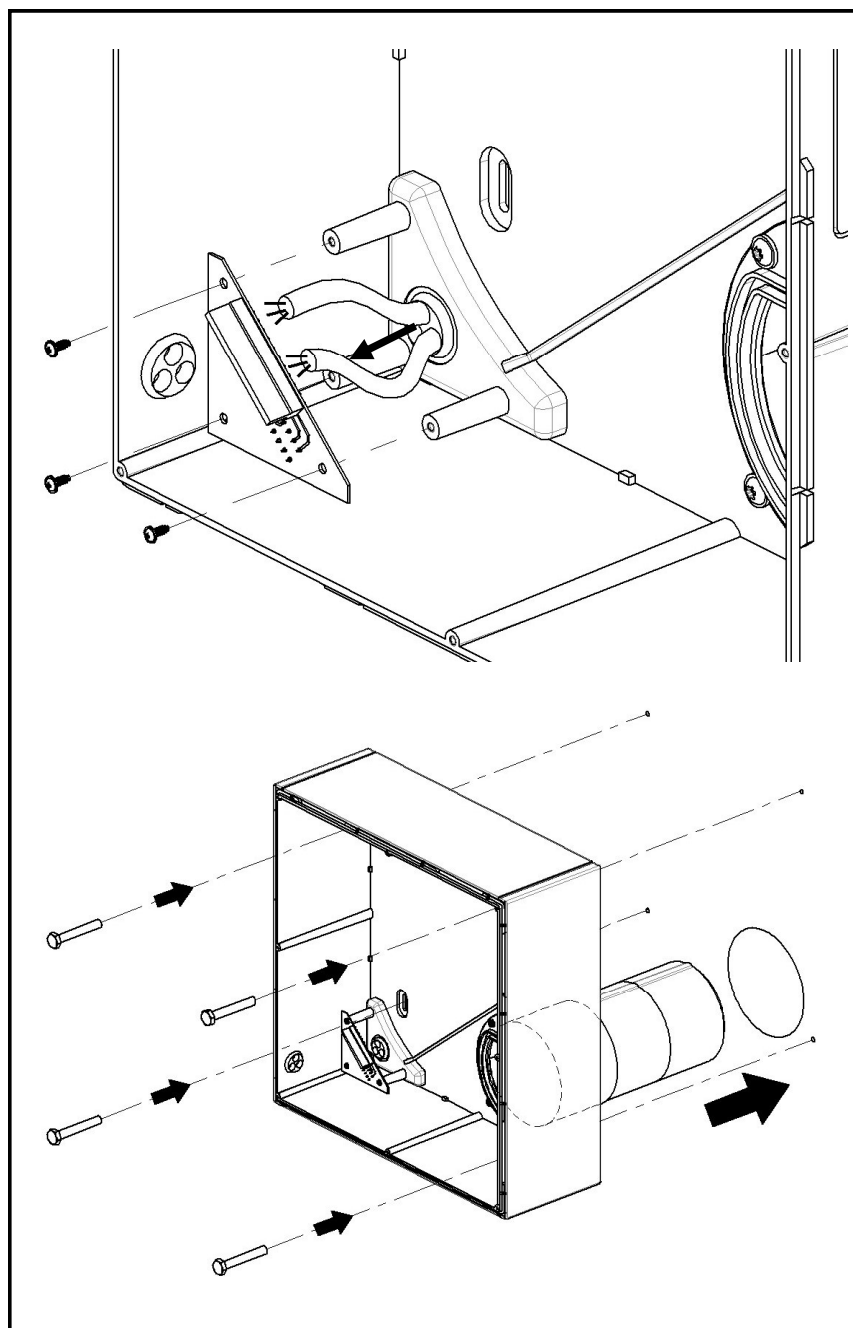
Mount the internal wall break-through pipe flush with the wall opening, externally with slight protrusion for the bridging of the external plaster thickness.  
 Keep to the slope indicated in the illustration. Seal the wall break-through pipe peripherally!  
 (Mounting adhesive Order no. 038733)  
 Plaster the pipe externally.



Compose the surface-mounting set from its four wall parts by simple interconnecting. Insert the wall installation housing into the surface-mounting set.



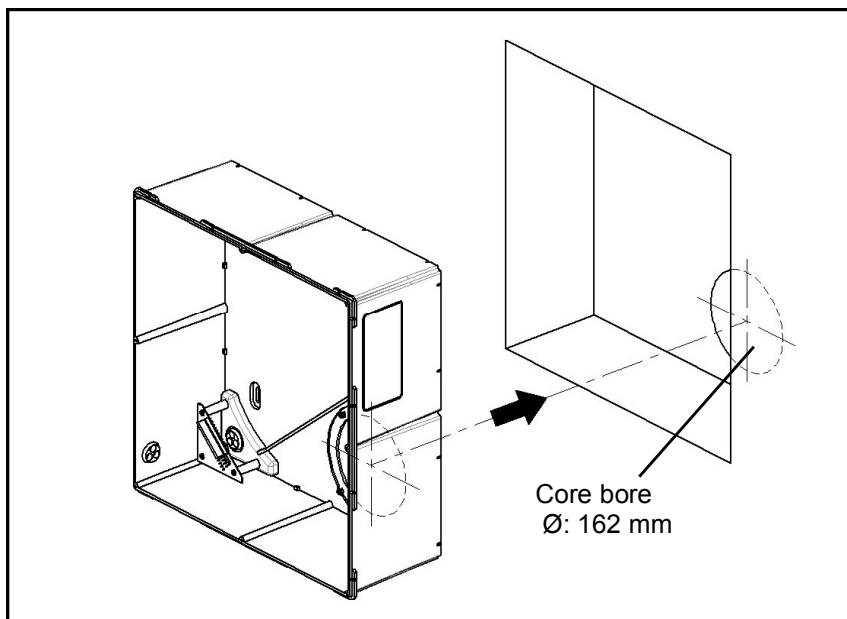
Guide the mains cable (and the control line) into the wall installation housing through the rear-side cable-support sleeve. For this purpose, take the mains connection circuit board from the wall installation housing and return it after completed mains connection. Fix the wall installation housing together on the wall with the attached surface-mounting set! Ensure in this case that the electrical flap close-off is fitted exactly into the wall installation pipe! Connect the mains cable (and the control line). For electrical connection, see chapter "Electrical connection - wiring diagrams".



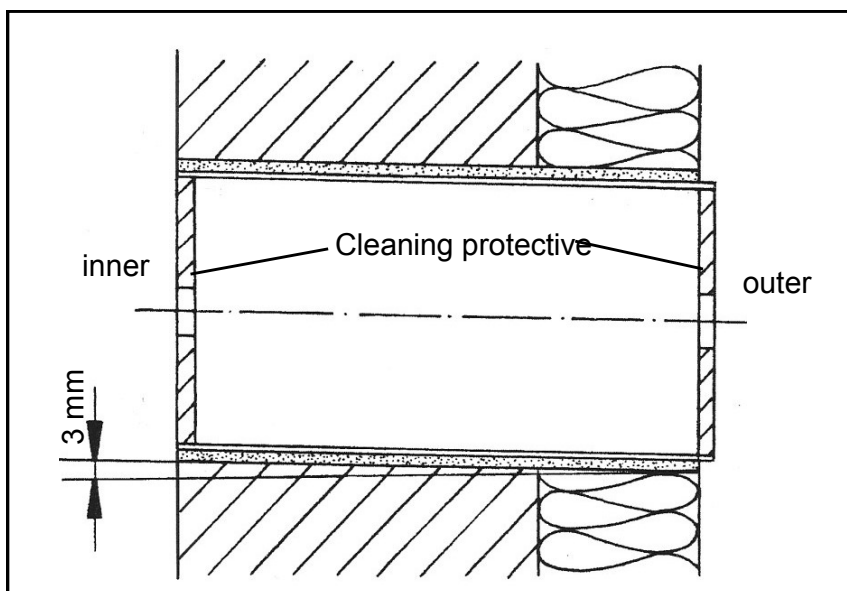
**Caution!** All assembly work on the ventilation device may be implemented only with all-pole disconnected mains voltage!

Stipulate the position of the core bore for the wall break-through pipe with the aid of the wall installation housing.

Manufacture the core bore for the wall break-through pipe.

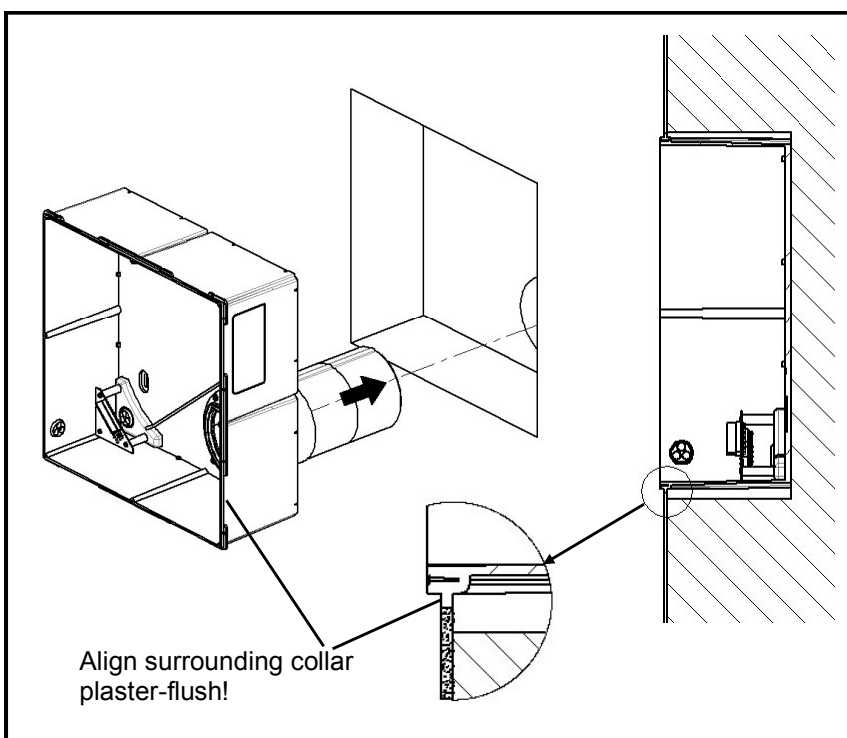


Mount the internal wall break-through pipe flush with the wall opening, externally with slight protrusion for the bridging of the external plaster thickness. Keep to the slope indicated in the illustration. Clean the pipe externally.



Insert the wall installation housing into the wall section. Ensure the electrical flap close-off is fitted exactly into the wall break-through pipe. Align the surrounding collar of the wall installation housing **plaster-flush** as represented.

Fix the wall installation housing in the wall section (e.g. with not impulsive construction foam).



Slit the cable conduit for the mains cable (and as appropriate, the control lines).

Guide the mains cable (and the control line) into the wall installation housing through the side cable support sleeve and connect these.

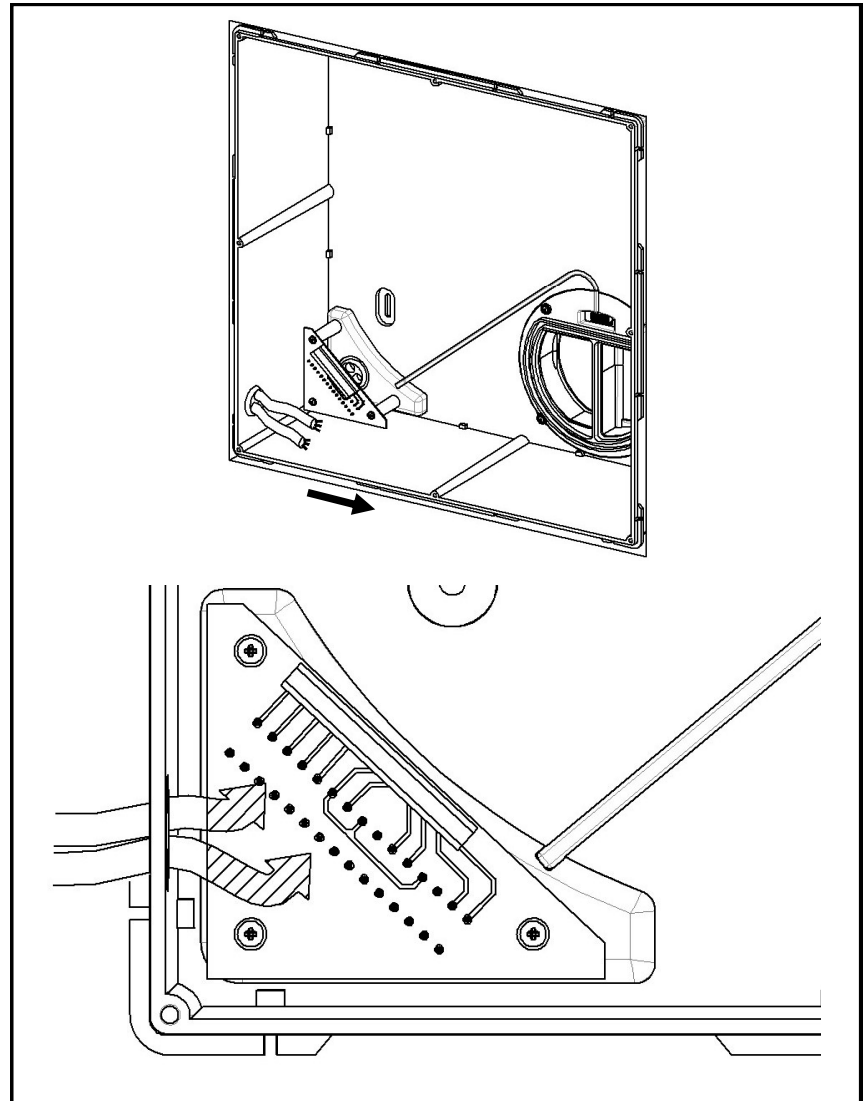
For this purpose, take the mains connection circuit board from the wall installation housing and return it after completed mains connection.

For electrical connection see chapter "Electrical connection - wiring diagrams".



Caution! All assembly work on the ventilation device may be implemented only with all-pole disconnected mains voltage!

Minimung of the cable length:  
20 cm.



## Installation - Installation of exterior panels

The installation of the external panels 1/EGA and the weather-protection bonnets 1/HWE-2 and 1/HAZ-2 is implemented in accordance with the assembly instructions enclosed with these parts.

Notes on safety



Caution! All assembly work on the ventilation device may be implemented only with all-pole disconnected mains voltage!

Set all connecting lines voltage-free before connection of the ventilation device to the mains voltage! (Disconnection from the mains with at least 3 mm contact gap, e.g. all-pole disconnection elec. protection).



Every electric circuit associated with this ventilation system must be equipped with a leakage current protection (e.g. residual-current-operated circuit breaker)!

Electrical connection by a specialist only!

Use maximum NYM - J 5 x 1.5 mm<sup>2</sup> as a mains cable. The connection of the PE conductor is absolutely necessary!

For the connection of the TAC and/or the gesture control, use cables of the type J-Y(St)Y (2x2x0.8), max. 1.5 mm<sup>2</sup>! The pigtail connections for the electrical flap close-off are enclosed ex-works!

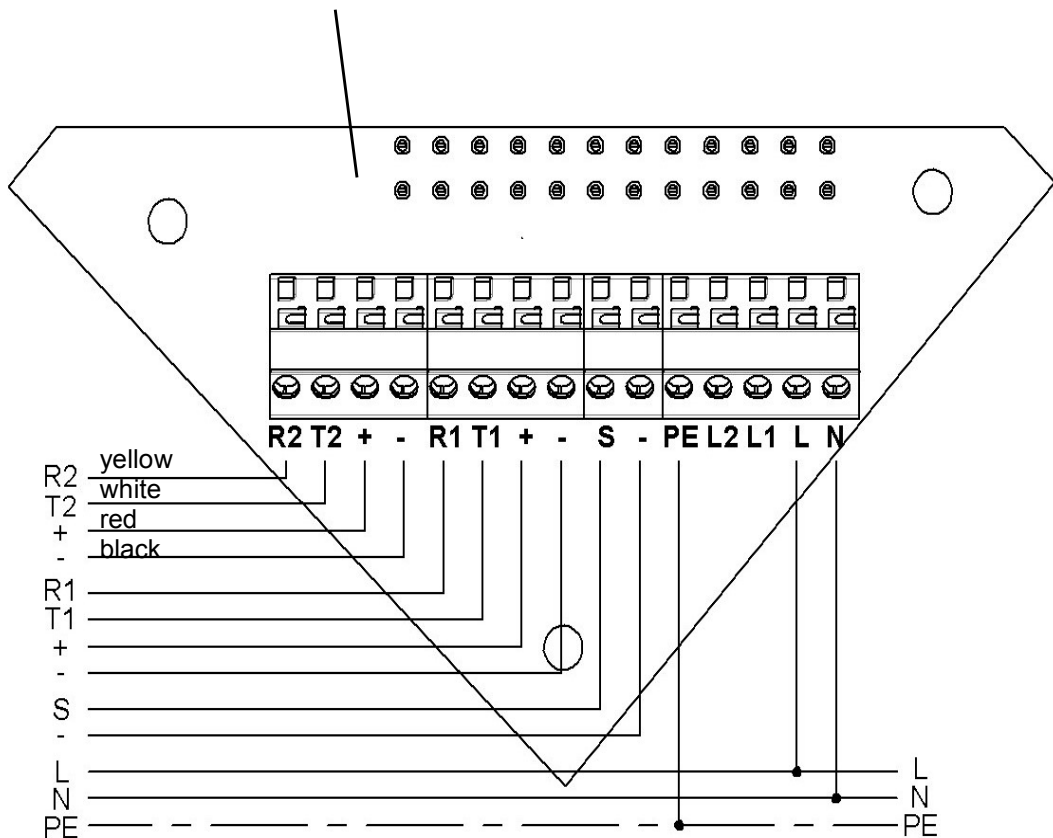
Mains connection circuit board and mains power connection terminals for the support are labeled!

Do not loosen one of the cables already connected by the manufacturer to the mains connection circuit board under any circumstance!

Wiring diagrams

Operation over the operating element on the device and representation of the connections of the electrical flap close-off, the gesture control and the TAC

Mains connection circuit board (view from below)



For the electrical flap close-off 9/ KVEN-2 (optional)

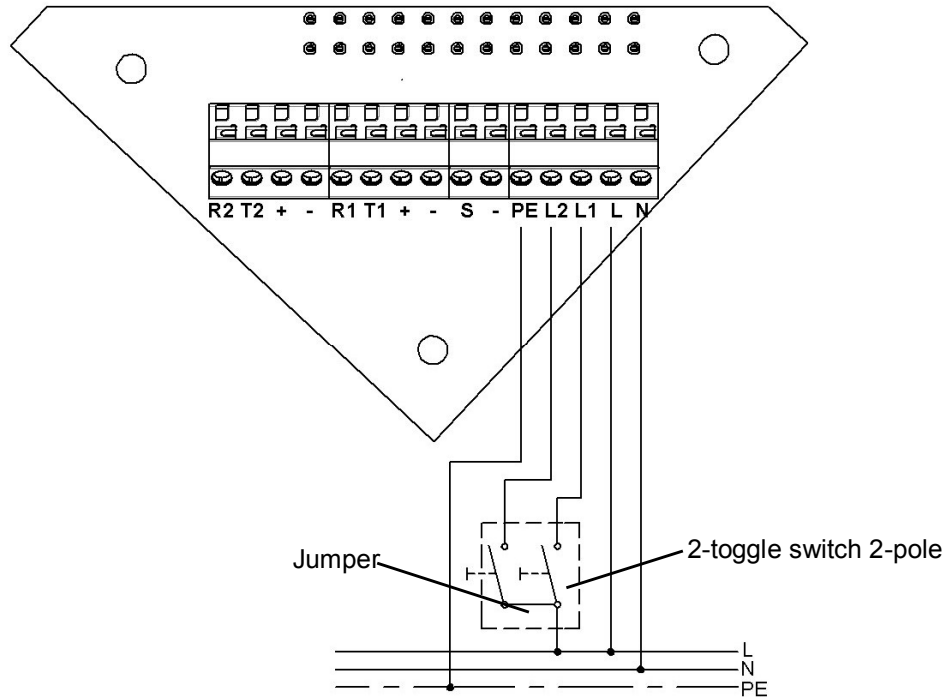
For the gesture control 5/GS (optional)

For TAC (optional)  
Netzanschluss

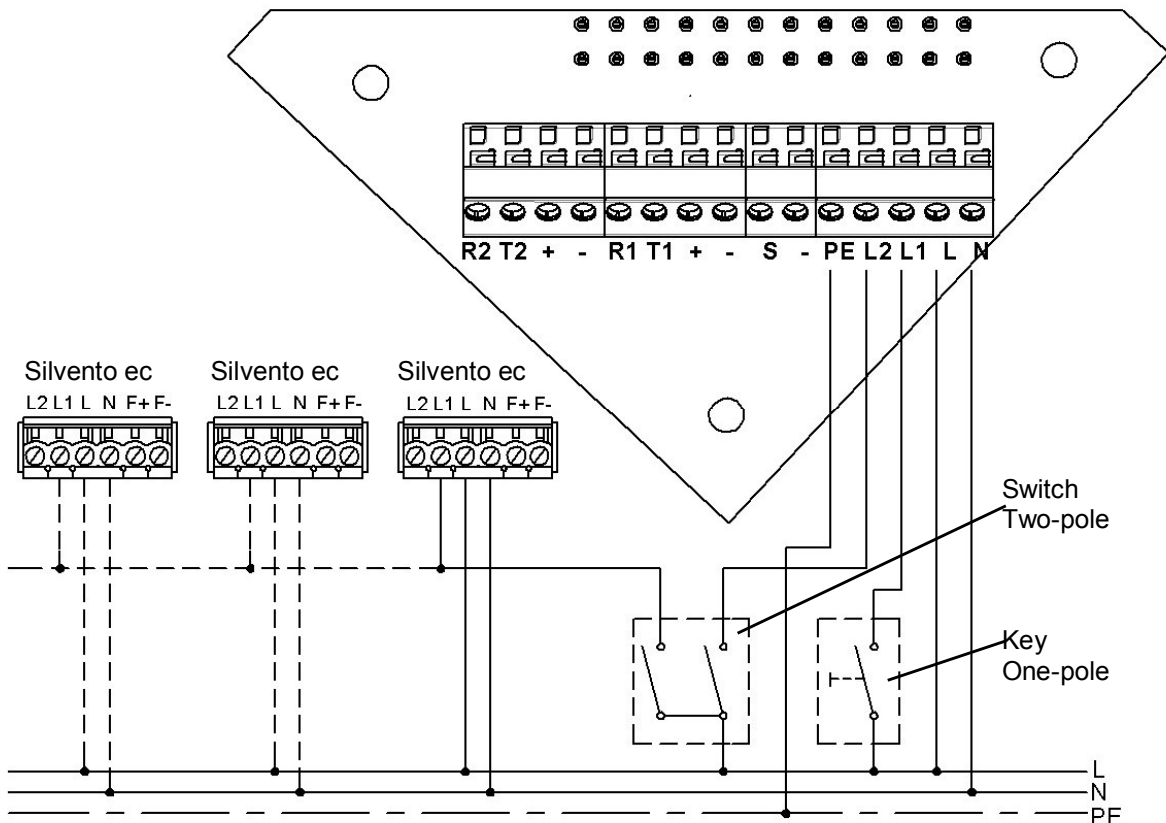
R2 yellow  
T2 white  
+ red  
- black  
R1  
T1  
+  
-  
S  
-  
L  
N  
PE

L  
N  
PE

Manual switching of the volume flow stages over an external two-pole button:  
 L1 = Volume flow stage more; L2 = Volume flow stage less  
 Note: DIP switch 2 must be in position OFF for that.



Manual switching of the volume flow stages over an external single-pole button on L1 and simultaneous operation of one or more air-extraction fans over coupling on L2 for the compensation of the additional vacuum pressure arising from the exhaust-air ventilators.  
 L1: 1x key: Volume flow stage more; 2x key: Volume flow stage less  
 Note: DIP switch 2 must be in position ON for that.



**LUNOS Germany**

LUNOS Lüftungstechnik GmbH  
für Raumlufsysteme  
Wilhelmstr. 31  
13593 Berlin · Germany

Phone +49 30 362 001-0  
Fax +49 30 362 001-89  
info@lunos.de  
www.lunos.de