

**DE Einbauanleitung
Ventilatoreinsatz Silvento ec**

- Bitte an den Nutzer weiterleiten -

**EN Installation Manual
Fan Insert Silvento ec**

- Please pass on to user -

1



DE Hinweise
EN Hints

2
2

2



DE Liefereinheiten
EN Delivery units

3
3

3



DE Montage
EN Assembly

3

4



DE Elektrischer Anschluss
EN Electrical connection

5
5

5



DE Filterwechsel
EN Filter replacement

5
5

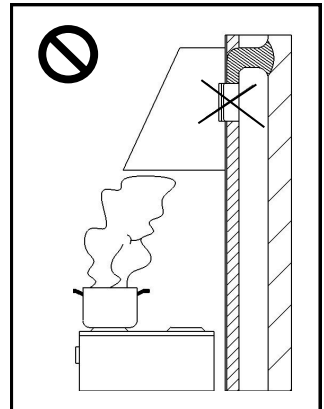
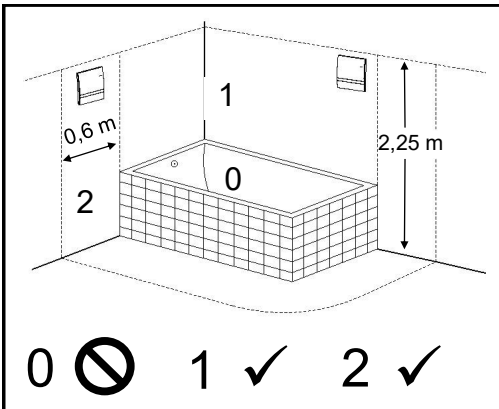
6



DE Textteil / Beschreibung
EN Text part / description

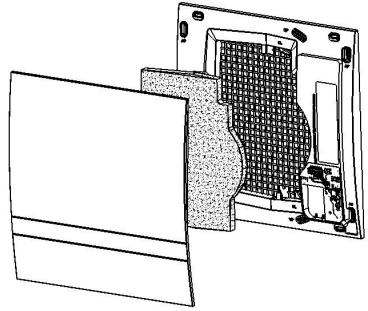
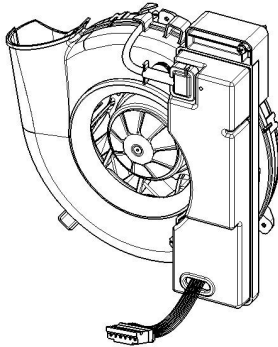
6
13

1



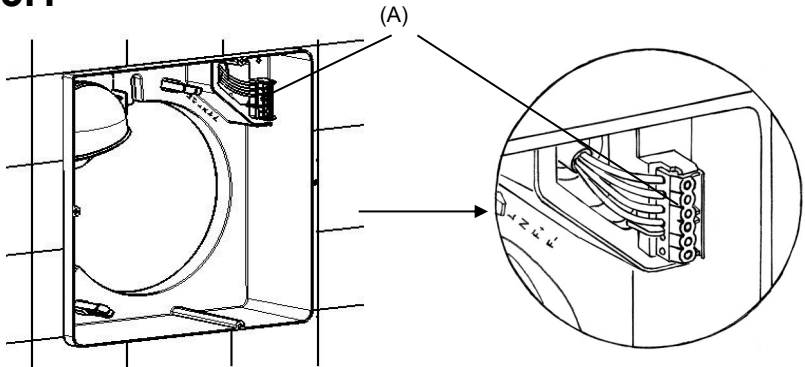
2

40078
V-EC



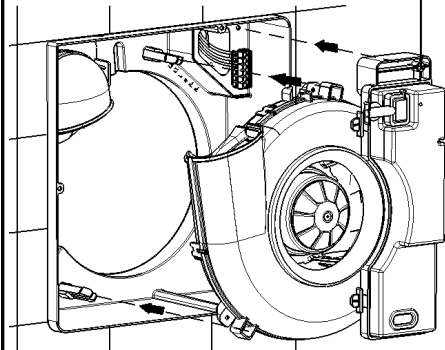
3

3.1



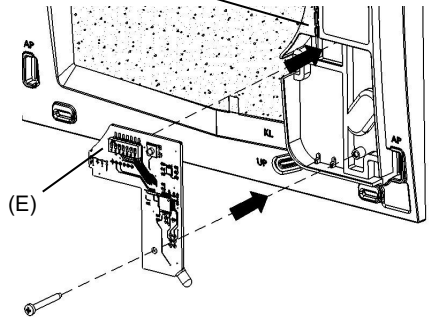
3.2

(B)

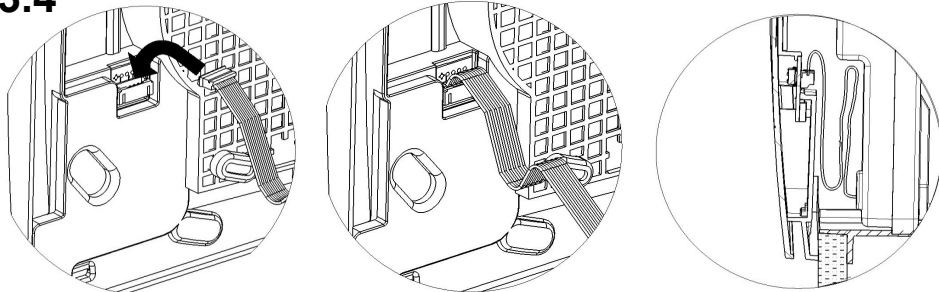


3.3

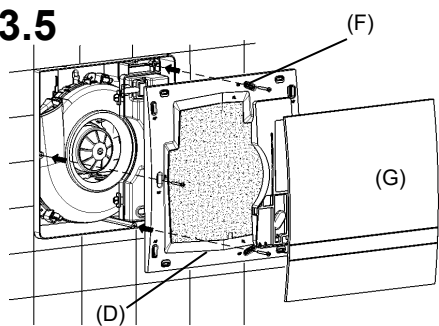
(D)



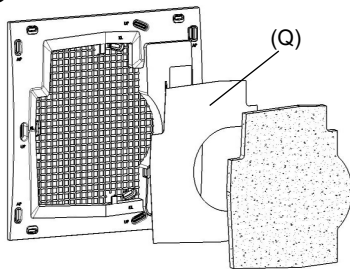
3.4



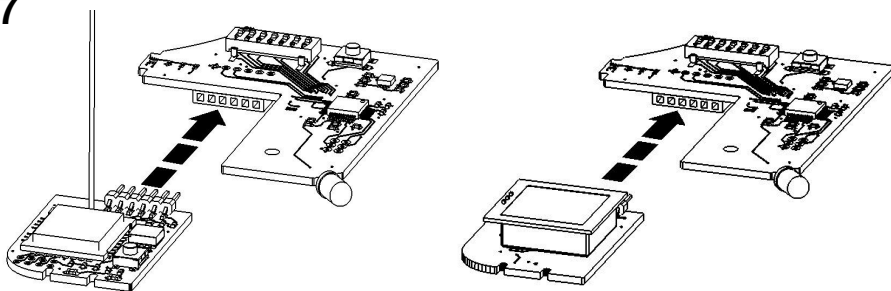
3.5



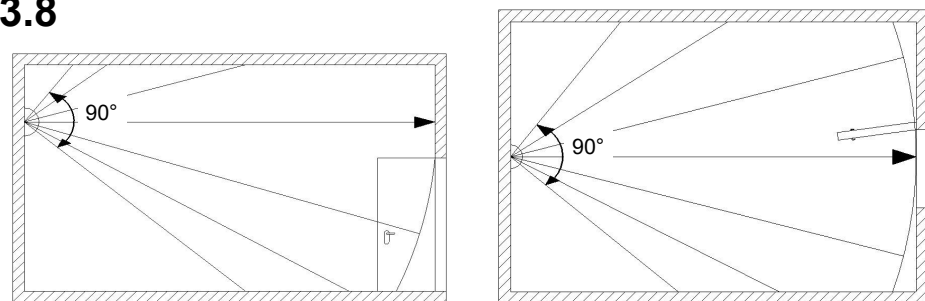
3.6



3.7



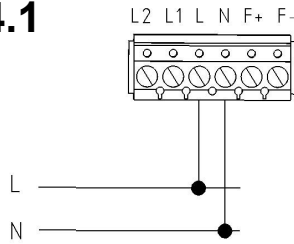
3.8



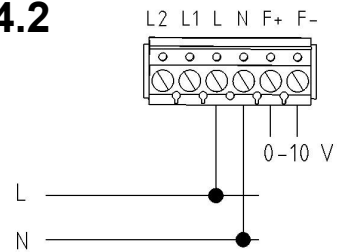
4



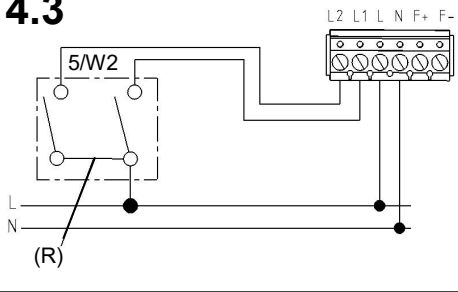
4.1



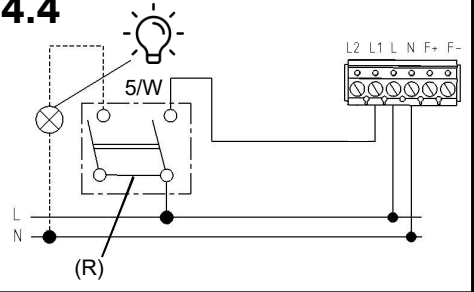
4.2



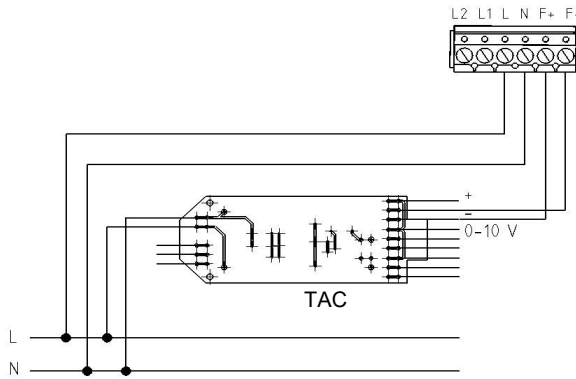
4.3



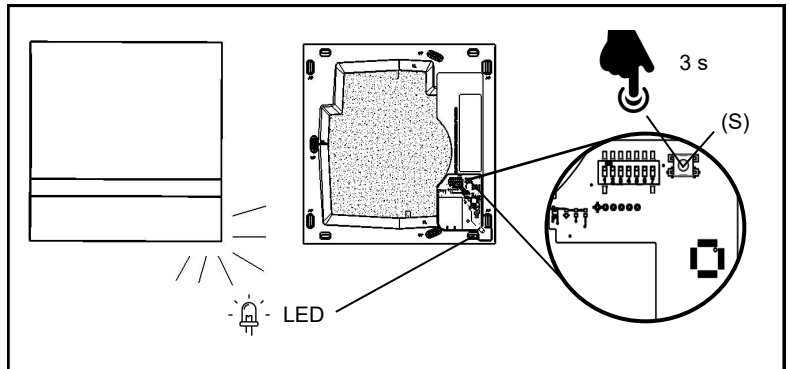
4.4



4.5



5



6

Installation Instructions

EN

Contents

Page:

About These Instructions, Safety Instructions, Range of Application, Disposal	13
Technical Data	14
Notes, Installation - Fan Insert, Control Board and Decor Screen	15
Installation - Additional modules	15
Electrical Connection	16
Setting the DIP Switches	17
Humidity Control	18
Filter Change, Cleaning, Additional Parts and Replacement Parts	19



About These Instructions

- Read these instructions carefully and completely before executing assembly work! General safety instructions and the safety symbols with respective notes in the text must be observed.
- These instructions are to be passed on to the user after completing assembly work (tenant, owner, building administration etc.).

Symbols in these instructions



This symbol warns of a risk of injury



This symbol warns of a risk of injury from electricity

Safety Instructions



Caution! Any installation work on the ventilation unit may only be carried out with the mains voltage disconnected!



Attention! Electrical connections must be carried out by authorized qualified staff in accordance with applicable VDE 0100!



Attention! This device must not be operated by children or persons (filter change/cleaning) who are not able to operate it safely on account of their physical, sensory or mental capacity or due to their inexperience or lack of skills.



When using fans for exhaust air operation, a properly working fresh air flow must always be ensured.

Range of Application

Temperature application range: - 15°C to + 40°C

Can be used at a relative air humidity of up to 75% indoors (non-condensing; temporary exceedance with the fan running is permissible). The user is requested to switch off the unit if the application limits are exceeded. Ensure fresh air supply by window ventilation.

Disposal



Dispose of packaging correctly sorted. If you wish to dispose of the device, observe applicable conditions. Within the framework of the German Electrical and Electronic Equipment Act (ElektroG), the free return of this device to your municipal collection point is guaranteed.

Technical Data

Power supply:	200-240 V AC 50/60 Hz
Remote control input:	0-10 V DC
Protection class:	II
Protection type:	IPX5
Air volume flow:	OFF, 15-60/90* m ³ /h
Electrical power consumption:	1.8-6.2/14.5* W
Sound pressure level:	22-35/44* dB(A)

(with active humidity control „so to say“-stepless between 15 and 60/90* m³/h)

* depending on the control board

Function/Control Board	5/EC-ZI (90)	5/EC-FK (90)	5/EC-FK+ (90)
Volume flow base load (DIP 1,2)	15/20/30/40/45/45/50/60 m ³ /h		
Volume flow demand (DIP 6,7)	15/20/30/40/45/45/50/60 (90) m ³ /h		
Switch-on delay (-/45/120s)	(✓/✓/✓)	(✓/✓/✓)	(-/-/-)
Follow-up time (-/15/30 min)	(✓/✓/✓)	(✓/✓/✓)	(-/-/-)
Interval operation (-/4h30min/2h15min)	(✓/✓/✓)	(✓/✓/✓)	(-/-/-)
Humidity / temperature sensor	(-/-/-)	(✓/✓)	(✓/✓)
VOC Sensor (smells)	-	-	✓
CO2 equivalent operation	-	-	✓
LED filter change indicator	✓	✓	✓
0-10 V control input	✓	✓	✓
Data logging	✓	✓	✓
Optional Radio Module FM-EO or Motion Detector 5/BM	(✓/✓)	(✓/✓)	(✓/✓)
Diagnostic tool PC based	✓	✓	✓

Every Silvento ec can be combined with a control board without a humidity sensor or with a humidity sensor, each control board can be combined with one extension module.

This results in the following configuration options:

The Control board for the basement ventilation 5/EC-KE is optionally available and not listed here.

We will be pleased to inform you.

All units are equipped with class G2 filters and a filter change indicator.

Ventilation units of the "Silvento" series meet all requirements:

- for low voltage (CE) according to EG guidelines (2006/95/EG; 2014/35/EU)
- for electromagnetic compatibility (CE) according to EC directives (2004/108/EC; 2014/30/EU)

The characteristic curve of the level 60 m³/h is part of the DIBt approval Z-51.1-215 and can be taken from it. The characteristic curve is also summarized with all other characteristic curves in a separate document that can be downloaded from www.lunos.de.

The fans of the Silvento ec series can be configured in combination with the circuit boards listed above and the volume flow can be calibrated. Instructions can also be found at www.lunos.de.

The volume flows specified in the accompanying documents refer to the installed condition, taking into account correct design/planning and corresponding installation.

1 Notes

- Installation in area 1 in bath and shower rooms in accordance with VDE 100 is permissible
- Fan installation for use as extractor hood not permitted

3 Installation - Fan Insert, Control Board and Decor Screen



Attention! Any assembly work on the ventilation unit may only be carried out with the mains voltage disconnected! Additional installations and electrical components in this ventilation system are not admissible!!

- 3.1 If necessary, remove the plaster protection cap from the housing.
If necessary, check the electrical connection and the position of the mains supply terminal (A).
- 3.2 Snap the fan insert firmly into place and screw on the mains connection area (B).
- 3.3 Fasten the control board (E) in the provided mounting space of the grille frame (D).
- 3.4 Connecting the control board to the fan insert.
Ensure that the ribbon cable is routed properly.
- 3.5 Clear the screw openings according to the housing used (UP, Ap, KL).
If necessary, clear the screw openings. Fasten the grille frame (D) to the fan housing using the screws supplied. Insert Filter. Put on front cover (G) and snap it into place.

**Attention: The grille frame is always mounted according to the mounting position of the fan!
The front cover can then be mounted on the grille frame in two optional positions rotated by 180°!**

- 3.6 With two-room fans: Insert the screen (Q) under the filter in the grille frame. (The screen for two-room fans is included in the two-room accessories)

3 Installation - Additional modules

One of the optionally available additional modules (5/BM (40082), a motion detector module with radar sensor or FM-EO (40083), a radio module for communication with other fans or a Smart Home System) can be plugged in to expand the functionality. To do this, proceed as follows:

- 3.7 Detach the control board (E) from the grill frame (D). Plug the additional module into the 6-pin connector under the control board as shown in the illustration. Fasten the control board again in the grill frame according to step 3.3.
- 3.8 The vertical and horizontal detection range of the motion detector module is 90°.

Note: After applying the mains voltage to the completed ventilation unit, the LED on the control board flashes once.

4 Electrical Connection



Caution! Any installation work on the ventilation unit may only be carried out with the mains voltage disconnected! The ventilation unit is insulated in accordance with protection class II, a protective conductor connection is not required.



Make sure all connection lines are de-energized before connecting the ventilation unit to the power supply! (Disconnection from power supply with at least 3 mm contact opening, e.g. fuse)



Each circuit connected to the ventilation system must be fitted with residual current protection (e.g. RCD switch)!



Electrical connections must be carried out by qualified staff only!

Additional installations and electrical components in the ventilation unit are not permitted!
Connection diagrams for further fan functions available on request!

Note: A variety of Silvento ec ventilation functions can be created using the DIP switches integrated in the control board of this type and via optional add-on modules.

4.1 Automatic operation with humidity control according to DIP switch position of the control board.
Comfort control: Humidity controlled operation
Basic control: Interval switching possible

4.2 With remote control (0 - 10 V)
The remote control input is divided into two ranges. In the range of 0-5 V the level is set absolutely, i.e. with highest priority (corresponds to DIP 6,7 with switched L1). In the range of 6-10 V only the base load is set (corresponds to DIP 1,2). In the range of 0-0.4 V the fan operates autonomously.

Area absolute level	Step 0:	0,6 V - 0,9 V	Base load level area	Step 1:	6,1 V - 6,4 V
	Step 1:	1,1 V - 1,4 V		Step 2:	6,6 V - 6,9 V
	Step 2:	1,6 V - 1,9 V		Step 3:	7,1 V - 7,4 V
	Step 3:	2,1 V - 2,4 V		Step 4:	7,6 V - 7,9 V
	Step 4:	2,6 V - 2,9 V		Step 5:	8,1 V - 8,4 V
	Step 5:	3,1 V - 3,4 V		Step 6:	8,6 V - 8,9 V
	Step 6:	3,6 V - 3,9 V		Step 7:	9,1 V - 9,4 V
	Step 7:	4,1 V - 4,4 V		Step 8:	9,6 V - 9,9 V
	Step 8:	4,6 V - 4,9 V			

4.3 Depending on the control board, DIP switch position and module:
With run-on time (basic control): Deactivation of the run-on functions (L2), continuous operation basic ventilation or OFF according to DIP switches 1 and 2 switchable to regulated ventilation (L1) according to DIP switches 6 and 7
With humidity control (comfort control): Humidity control can be deactivated (L2), switchable to regulated ventilation (L1)
Note: No light coupling possible with VDE-compliant installation ((R) Bridge)

4.4 Depending on control board, DIP switch position and module:
Single-stage operation, switchable to regulated ventilation
Continuous operation basic ventilation and run-on time-controlled regulated ventilation
Humidity control, switchable to regulated ventilation
Run-on time-controlled regulated ventilation
Note: Use a two-pole switch to switch the room lighting simultaneously with the regulated ventilation!

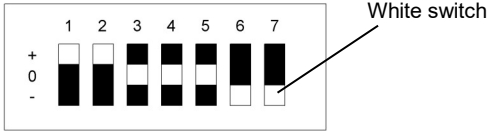
4.5 Direct connection to TAC via F+ and F-.

Setting the DIP Switches

Via the DIP switches (S) on the control board you have the option to set a variety of fan functions! Each of the white switches has **three** setting options!



Attention! Only adjust the switch when the ventilation unit is de-energised!



Factory setting 5/EC-ZI, 5/EC-FK:

Basic ventilation: OFF
 Nominal load stage: 60 m³/h
 Interval: OFF
 Run-on time: OFF
 Switch-on delay: OFF

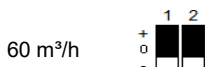
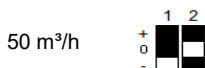
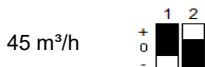
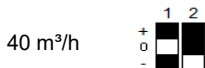
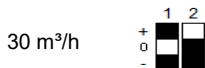
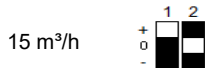
Changing the settings:

1. Remove the front cover
2. Make the desired settings
3. Reassemble in reverse order

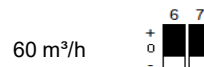
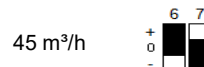
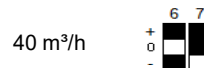
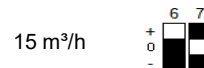
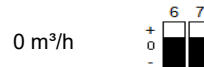
The following DIP switch positions with the following functions are available:

Using DIP switches 1, 2, 6 and 7, you can set the air volume flows for basic and regulated ventilation, and DIP switches 3, 4 and 5 can be used to configure the delay time functions.

DIP switch settings basic ventilation



DIP switch settings regulated ventilation



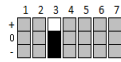
DIP switch settings interval, run-on time and switch-on delay



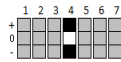
Interval OFF



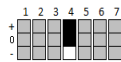
Interval ON,
Fan runs every 4 hours for 30 min in regulated ventilation



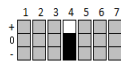
Interval ON,
Fan runs every 2 hours for 15 min in regulated ventilation



Run-on time OFF



Run-on time ON,
Fan runs on for 15 min in regulated ventilation



Run-on time ON,
Fan runs on for 30 min in regulated ventilation



Switch-on delay OFF



Switch-on delay 120 s



Switch-on delay 45 s

Humidity Control

Fans equipped with the comfort board 5/EC-FK have an independent humidity control with a standard control range of 50 - 70 % r.h. controlling between the set basic ventilation stage (DIP switches 1, 2) and the regulated ventilation stage (DIP switches 6, 7). This ensures that the exhaust air volume flow is constantly adjusted to the room air humidity and room temperature, thus achieving an optimum level of comfort. There is only as much ventilation as necessary, but also only as little as possible, which saves energy, prevents over-humidification of the apartment and avoids structural damage and mould.

The control is carried out in a virtually stageless and "intelligent" manner, differentiating between permanently high relative humidity or rapid increase (e.g. due to showers).

If the relative humidity cannot be significantly reduced within a period of two hours (e.g. in summer), the fan will be switched to basic ventilation mode.

If the relative humidity increases by more than 5% within one hour during reduced operation mode, the reduced operation mode will be terminated. If the relative humidity falls below the lower switching threshold and the basic ventilation level is set to OFF, the fan will be switched off.

If the fan is set to the basic ventilation level OFF, it will run once per hour for 3 minutes at the level of 15 m³/h (sniff mode). If a relative humidity above the set switching threshold, e.g. 50 % RH at 22°C, is measured during this time, humidity control will be activated.

If the measured relative humidity is lower than the switching threshold, the fan will be switched off again after these three minutes.

Notes:

- If voltage is applied to L2, all special functions, switch-on delay, run-on time, interval operation and humidity control (5/EC-FK only) will be deactivated.
- Within the first two hours after connection to the mains, the fan runs at the level corresponding to the relative humidity value currently measured .

5 Filter Change

- 5.1** The LED lights up continuously when the filter is dirty.
Remove the front cover, remove the filter. Insert a new or cleaned filter. The filter can be cleaned e.g. using a dishwasher.
Press the button (S) with a tool, e.g. a pen, for 3 seconds; the LED goes out.
Put the front cover back in place.

Never operate the unit without a filter!

Cleaning

When necessary, wipe the front cover and grille frame using a dry soft cloth.



Filter change and cleaning must not be carried out by children or persons who are not able to operate the unit safely on account of their physical, sensory or mental capacity or due to their inexperience or lack of skills.

Additional Parts and Replacement Parts

Pack of 3 filters	2/FSI-R	Order no.: 39721
Control board basic variant	5/EC-ZI	Order no.: 40080
Control board comfort variant	5/EC-FK	Order no.: 40081
Control board comfort plus	5/EC-FK+	Order no.: 40217
Control board basic variant up to 90 m ³ /h	5/EC-ZI 90	Order no.: 40126
Control board comfort variant up to 90 m ³ /h	5/EC-FK 90	Order no.: 40127
Control board comfort plus up to 90 m ³ /h	5/EC-FK 90+	Order no.: 40221
Control board for basement ventilation	5/EC-KE	Order no.: 40133
Motion detector module	5/BM	Order no.: 40082
Radio module	5/FM –EO	Order no.: 40083



LUNOS Germany

LUNOS Lüftungstechnik GmbH & Co. KG
für Raumlufsysteme
Wilhelmstr. 31
13593 Berlin · Germany

Phone +49 30 362 001-0
Fax +49 30 362 001-89
info@lunos.de
www.lunos.de