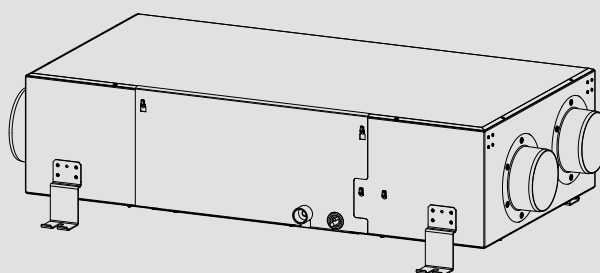


# OPERATION AND INSTALLATION

Central ventilation unit with heat recovery

» VCR 180 MC



**STIEBEL ELTRON**

# TABLE OF CONTENTS

## SPECIAL INFORMATION

### OPERATION

<b>1. General information</b>	<b>3</b>
1.1 Safety instructions	3
1.2 Other symbols in this documentation	3
1.3 Information on the appliance	4
1.4 Standardised output data	4
1.5 Units of measurement	4
<b>2. Safety</b>	<b>4</b>
2.1 Intended use	4
2.2 General safety instructions	4
2.3 Test symbols	4
<b>3. Appliance description</b>	<b>4</b>
<b>4. Settings</b>	<b>5</b>
4.1 Switching the appliance on	5
4.2 Programming unit	5
4.3 Selecting the fan stage	6
4.4 Activating time programs	6
4.5 Menu	6
■ P4: Reset filter	6
■ P28: Enable fan	6
■ P80: Day	6
■ P83: Mode of backlighting	7
■ P84: Illumination duration	7
■ P85: Lower standard display	7
■ Pro	7
■ Cod	8
4.6 Switching off the appliance	8
<b>5. Maintenance, cleaning and care</b>	<b>8</b>
<b>6. Troubleshooting</b>	<b>8</b>

### INSTALLATION

<b>7. Safety</b>	<b>9</b>
7.1 General safety instructions	9
7.2 Instructions, standards and regulations	9
7.3 Operation of the appliance in buildings with combustion equipment	9
<b>8. Appliance description</b>	<b>10</b>
8.1 Standard delivery	10
8.2 Zubehör	10
<b>9. Preparation</b>	<b>10</b>
9.1 Storage	10
9.2 Installation site	10
9.3 Transport	10
<b>10. Installation</b>	<b>10</b>
10.1 Mounting the appliance	11
10.2 Connecting the condensate drain hose	11
10.3 Air ducts	12
10.4 Electrical connection	12
10.5 Overflow apertures	13
<b>11. Commissioning</b>	<b>13</b>
11.1 Initial start-up	13
11.2 Recommissioning	13

<b>12. Settings</b>	<b>14</b>
12.1 Parameter	14
■ P14: Supply air flow rate offset	14
■ P15: Humidity protection interval	14
■ P16: Start-up time for humidity measurement	14
■ P29: Appliance type	14
■ P31: Enabling of humidity-dependent flow rate control	14
■ P32: Enable outdoor air condensate prevention	14
■ P33: Temperature offset for condensate prevention	14
■ P70: Delete fault list	14
12.2 Actual values	15
12.3 Code	15
■ Cod	15
<b>13. Appliance shutdown</b>	<b>15</b>
<b>14. Maintenance</b>	<b>15</b>
<b>15. Troubleshooting</b>	<b>17</b>
<b>16. Disposal</b>	<b>18</b>
<b>17. Specification</b>	<b>18</b>
17.1 Dimensions and connections	18
17.2 Fan diagram	19
17.3 Wiring diagram	20
17.4 Data table	21

### GUARANTEE

### ENVIRONMENT AND RECYCLING

### FILTER INSPECTION LOG

# SPECIAL INFORMATION OPERATION

- The appliance may be used by children over 8 years of age and persons with reduced physical, sensory or mental capabilities or a lack of experience and expertise, provided that they are supervised or they have been instructed on how to use the appliance safely and have understood the potential risks. Children must never play with the appliance. Cleaning and user maintenance must not be carried out by children without supervision.
- Observe all applicable national and regional regulations and instructions.
- The appliance is not approved for outdoor installation.
- You must not install the appliance in safety zones 0, 1 and 2. The safety zones are defined in the IEC 60364-7-701 standard.
- Maintain the minimum clearances. See chapter "Preparations / Installation site".
- Fix the appliance in position as described in chapter "Installation / Preparations".
- If the appliance is permanently connected to the power supply, ensure that the appliance can be separated from the power supply by an isolator that disconnects all poles with at least 3 mm contact separation.
- Observe the fuse protection required for the appliance (see chapter "Specification / Data table").
- For the power cable, connections and connecting cables to external control equipment, see chapter "Electrical connection" and the wiring diagram in chapter "Specification".

## 1. General information

The chapters "Special information" and "Operation" are intended for both users and qualified contractors. The chapter "Installation" is intended for qualified contractors.



**Note**

Read these instructions carefully before using the appliance and retain them for future reference. Pass on the instructions to a new user if required.

### 1.1 Safety instructions

#### 1.1.1 Structure of safety instructions



**KEYWORD Type of risk**

Here, possible consequences are listed that may result from failure to observe the safety instructions.

► Steps to prevent the risk are listed.

#### 1.1.2 Symbols, type of risk

Symbol	Type of risk
	Injury
	Electrocution
	Burns (burns, scalding)

#### 1.1.3 Keywords

KEYWORD	Meaning
DANGER	Failure to observe this information will result in serious injury or death.
WARNING	Failure to observe this information may result in serious injury or death.
CAUTION	Failure to observe this information may result in non-serious or minor injury.

### 1.2 Other symbols in this documentation



**Note**









General information is identified by the adjacent symbol.

► Read these texts carefully.

Symbol	Meaning
	Material losses (appliance damage, consequential losses and environmental pollution)
	Appliance disposal

► This symbol indicates that you have to do something. The action you need to take is described step by step.

### 1.3 Information on the appliance

Symbol	Meaning
	Outdoor air
	Exhaust air
	Extract air
	Supply air
	Filters
	Not relevant
	Cross-counter-current heat exchanger
	Fan

### 1.4 Standardised output data

Information on determining and interpreting the specified standardised output data

**Standard: EN 13141-7**

The output data specifically mentioned in text, diagrams and technical datasheets has been determined in line with the test conditions described in the standard shown in the heading of this chapter.

Generally, these standardised test conditions will not fully meet the conditions found at the installation site of the system user. Depending on the chosen test method and the extent to which the selected method deviates from the conditions described in the standard shown in the heading of this chapter, any deviations can have a considerable impact. Additional factors that have an influence on the test values are the measuring equipment, the system configuration, the age of the system and the flow rates.

A confirmation of the specified output data can only be obtained if the conditions applicable to the relevant test match those of the standard shown in the heading of this chapter.

### 1.5 Units of measurement



#### Note

All measurements are given in mm unless stated otherwise.

## 2. Safety

### 2.1 Intended use

The appliance is designed as a mechanical ventilation unit with central supply and extract air routing.

The appliance is intended for domestic use. It can be used safely by untrained persons. The appliance can also be used in non-domestic environments, e.g. in small businesses, as long as it is used in the same way.

Any other use beyond that described shall be deemed inappropriate. Observation of these instructions and of the instructions for any accessories used is also part of the correct use of this appliance.

#### It is deemed inappropriate to:

- Use extract air containing grease, explosive gases, dust or adhesive aerosols
- Connect cooker hoods or vented tumble dryers to the ventilation system

Never adjust the settings of supply and extract air vents inside the rooms. The supply and extract air valves have been adjusted during commissioning.

### 2.2 General safety instructions



#### WARNING Injury

The appliance may be used by children over 8 years of age and persons with reduced physical, sensory or mental capabilities or a lack of experience and expertise, provided that they are supervised or they have been instructed on how to use the appliance safely and have understood the potential risks. Children must never play with the appliance. Cleaning and user maintenance must not be carried out by children without supervision.



#### WARNING Injury

The discharged cold air can cause condensation to be formed in the vicinity of the air discharge.

- Ensure that no risk of slipping due to wet conditions or ice formation occurs on adjacent footpaths and driveways at low temperatures.

### 2.3 Test symbols

See type plate on the appliance.

## 3. Appliance description

The appliance draws in outdoor air with a fan. A second fan extracts stale air from the rooms containing odours or moisture, e.g. kitchen, bathroom, WC. Extract air and outdoor air are routed through separate air ducts. Extract air and outdoor air are filtered by separate filters.

# OPERATION

## Settings

The extract air and outdoor air flow through a cross-counter-current heat exchanger. The outdoor air absorbs heat taken from the extract air. This enables a large proportion of thermal energy to be recovered.

The air flow rate is preset for each fan stage by the qualified contractor during commissioning. Constant flow rate control ensures that the air flow rates through the supply air and extract air fans are achieved irrespective of the duct pressure.

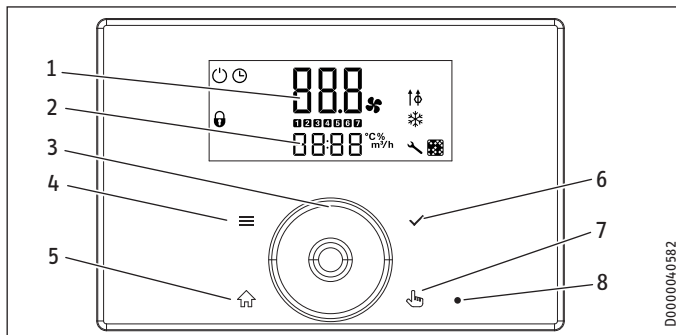
	Stage	Display	
Ventilation for humidity protection	0	"Power" symbol and digit 0	Necessary ventilation for ensuring that the building structure is protected under normal conditions of use with somewhat reduced moisture loads, e.g. during temporary absence of users and no drying of washing in the residential unit.
Reduced ventilation	1	"Fan" symbol and digit 1	Reduced ventilation is the ventilation necessary to meet hygiene standards and ensure protection of the building structure (moisture level) under standard conditions of use with partially reduced moisture and pollutant loads, e.g. as a result of intermittent user absence.
Standard ventilation	2	"Fan" symbol and digit 2	Standard ventilation is the ventilation necessary to meet hygiene standards and ensure protection of the building structure when users are present.
Intensive ventilation	3	"Fan" symbol and digit 3	Intensive ventilation is increased ventilation with a higher flow rate to reduce load peaks, e.g. for rapid ventilation during or after a party. You can switch on intensive ventilation with the "intensive ventilation" button. Alternatively, you can switch on the intensive ventilation with an optional externally connected switch or button.

## 4. Settings

### 4.1 Switching the appliance on

The appliance has no ON/OFF switch. When the appliance is supplied with power, it is in operation.

### 4.2 Programming unit



- 1 Upper display
- 2 Lower display
- 3 Touch-Wheel
- 4 "MENU" button
- 5 "HOME" button
- 6 "OK" button
- 7 "Intensive ventilation" button
- 8 "Intensive ventilation" indicator

### 4.2.1 Controls

Control	Description
"MENU" button	Press this button for approx. one second to call up the menu from the standard display. Within the menu, press this button to return to the beginning of the menu. Parameter P1 is displayed. When setting a parameter value, press this button to exit setting of the parameter. Any changes made will not be saved.
"OK" button	In order to set the parameter, you must first make it editable by pressing the "OK" button. Then you can change the value with the Touch-Wheel. Once you have set the parameter, confirm your entry with the "OK" button.
"HOME" button	Calls up the standard display
"Intensive ventilation" button	Use this button to switch the appliance to intensive ventilation. You can set the runtime for intensive ventilation in parameter P2. Once this runtime has expired, the appliance returns to the previously applicable fan stage.
Touch-Wheel	From the home screen, you can use the Touch-Wheel to select fan stages 0, 1 and 2, and activate the time programs. The "time" symbol indicates that time programs are activated. Use the Touch-Wheel to select a parameter or value in the menu. If you turn the Touch-Wheel quickly, the increment size changes after a while.

### Function block

Press the "HOME" and "OK" buttons simultaneously to activate the function block. The "padlock" symbol appears. Then you can wipe the programming unit clean without inadvertently changing any settings. Press the "HOME" and "OK" buttons simultaneously for two seconds to deactivate the function block.

### 4.2.2 Display

If no user action occurs within the time selected in the illumination duration parameter, the display backlighting switches off and the standard display appears. Press any button to switch the background lighting on again.

Symbol	Description
	Power: This symbol indicates that the appliance is switched on and the fans are operating in "humidity protection" mode.
	Time: This symbol indicates that the appliance is operating in time program mode. Depending on the program, the appliance is operated at different fan stages.
	Fan: This symbol, with the associated digit, indicates the fan stage at which the appliance is currently running. If the unit has switched off the fans to prevent condensate, the "Fan" symbol flashes.
	Not relevant
	This symbol is displayed when the function block is activated. Press the "HOME" and "OK" buttons simultaneously for two seconds to deactivate the function block.
	Filters: Change the filter when this symbol appears.
	Not relevant
	Service/fault: The "service/fault" symbol illuminates permanently in the event of faults that do not impair the basic function of the appliance. The "service/fault" symbol flashes if a serious fault has occurred. Call your qualified contractor.

# OPERATION

## Settings

### 4.3 Selecting the fan stage

From the home screen, you can use the Touch-Wheel to select fan stages 0, 1 and 2. The set value is accepted without you having to press a button to confirm it.

You cannot activate intensive ventilation with the Touch-Wheel. To switch on intensive ventilation, press the "intensive ventilation" button for approx. one second. When intensive ventilation is activated, the "intensive ventilation" indicator illuminates.

If you set fan stage 0, the appliance switches to a 24 hour dormant phase. The humidity protection control unit only starts after this. The qualified contractor can configure the humidity protection control unit with parameters.

### 4.4 Activating time programs

The "time" symbol indicates that time programs are activated. If the time programs are not activated, turn the Touch-Wheel clockwise to switch from the home screen. After fan stage 2, the fan stage set in the time program appears along with the "time" symbol.



#### Note

If you switch the appliance to time program operation, time programs must be entered in the "prog" menu. Otherwise the appliance continues to run without a time limit in set fan stage 2.

Enter the time program settings in the menu.

At times where there is no time program defined, the appliance runs in set fan stage 2.

### 4.5 Menu

Display	Description
P1 - Pxx	Parameter
I1 - lxx	Actual values
Pro	Programs
Cod	Entry of the code for unlocking protected parameters and actual values

► To access the parameters, press the "MENU" button.

The "HOME" button takes you to the standard display. If you have not changed any settings for a while, the appliance automatically switches back to the standard display.

#### 4.5.1 Parameter

	Description	Unit	Min.	Max.	Options
P2	This parameter defines the runtime for intensive ventilation. After this time has expired, the appliance returns to the previously applicable fan stage. If the intensive ventilation is switched on with an external switch, this parameter defines how long the intensive ventilation continues to run after opening the switch.	min	0	240	
P4	Reset filter				1   0
P28	Enable fan				On   OFF
P80	Day				1 - 7
P81	Time		00:00	23:59	
P82	Level of lighting		2	10	
P83	Mode of backlighting				Auto   On   OFF
P84	Illumination duration	s	1	500	
P85	Lower standard display				OFF   Time   Set room temperature   Extract air temp.   Extract air humidity

In order to set the parameter, you must first make it editable by pressing the "OK" button. Then you can change the value with the Touch-Wheel. If you do not press the "OK" button to make the parameter editable, activating the Touch-Wheel causes the next parameter to be displayed.

Press the "OK" button to save the set value for a parameter. If you do not confirm the parameter change with the "OK" button, your change will be lost.

#### ■ P4: Reset filter

► Set this parameter to 1 after changing the filters. The appliance resets the filter runtime to 0. This parameter is automatically reset to 0.

#### ■ P28: Enable fan

You can switch off the fans at any time via the programming unit menu, e.g. to deactivate ventilation if there is a fire.

Effect	
OFF	The fans are deactivated. "OFF" and the fan icon flash on the display.
On	The fans are enabled.

#### ■ P80: Day

1	Monday
2	Tuesday
3	Wednesday
4	Thursday
5	Friday
6	Saturday
7	Sunday

# OPERATION

## Settings

### ■ P83: Mode of backlighting

	Effect
On	Backlighting switched on
OFF	Backlighting switched off
Auto	If no user action occurs within the time selected in the illumination duration parameter, the display backlighting switches off and the standard display appears.

### ■ P84: Illumination duration

If no user action occurs within the time selected in the illumination duration parameter, the display backlighting switches off and the standard display appears.

### ■ P85: Lower standard display

Use this parameter to define what is displayed in the lower section of the standard display. If the appliance detects a fault, the fault is indicated in the lower section of the standard display.

#### 4.5.2 Actual values

	Description	Unit
I2	Extract air temperature	°C
I3	Relative humidity of extract air	%
I4	Filter service life	h
I5	Appliance software version	
I6	Unit software patch	
I7	Terminal device serial number	
I8	Programming unit software version	
I70-79	Fault memory	

Faults detected by the appliance are stored in actual values I70 to I79.

The latest fault is stored in I70; the oldest in I79. If no faults are entered, dashes are shown. The latest fault is also shown in the lower section of the standard display. Possible faults are listed for qualified contractors in the "Troubleshooting" chapter.

#### 4.5.3 Programs

##### ■ Pro

The appliance offers the option to set 21 time programs. Switch between the time programs using the Touch-Wheel. Press the "OK" button to switch to setting a time program.

Time program x	x.1 Day or group of days	x.2 Fan stage	x.3 Start time	x.4 Stop time	
1	1 - 7	0	8:00	20:00	Delivered condition
2					
3					
4					
5					
6					
7					
8					
9					
10					
11					
12					
13					
14					
15					
16					
17					
18					
19					
20					
21					

Setting a time program begins with selecting a day of the week or a group of days. Press "OK". Set the day using the Touch-Wheel. Confirm with the "OK" button.

Use the Touch-Wheel to switch to setting the fan stage. Press "OK". Set the fan stage in which the appliance runs when the time program takes effect using the Touch-Wheel. Confirm with the "OK" button.



##### Note

You cannot switch on fan stage 3 with time programs.

Use the Touch-Wheel to switch to setting the start time. Press "OK". Set the start time of the respective time program using the Touch-Wheel. Confirm with the "OK" button.

Use the Touch-Wheel to switch to setting the stop time. Press "OK". Set the stop time of the respective time program using the Touch-Wheel. Confirm with the "OK" button.

To delete a time program, go to the menu item where the day or group of days is selected for the respective time program. Turn the Touch-Wheel anti-clockwise until the day disappears and dashes appear in the lower section of the display.



##### Note

In the case of overlapping time programs, the program with the highest number takes priority.

## OPERATION

# Maintenance, cleaning and care



### Note

At times where there is no time program defined, the appliance runs in set fan stage 2.

### Example

	Time scale	Stage
Monday - Friday	06:00 - 22:00	2
	22:00 - 06:00	1
Saturday, Sunday	07:00 - 23:00	2
	23:00 - 07:00	1

x	x.1 Day or group of days	x.2 Fan stage	x.3 Start time	x.4 Stop time
<input type="checkbox"/> 1	1/2/3/4/5	1	22:00	24:00
<input type="checkbox"/> 2	1/2/3/4/5	1	00:00	06:00
<input type="checkbox"/> 3	6/7	1	23:00	24:00
<input type="checkbox"/> 4	6/7	1	00:00	07:00

### 4.5.4 Code

#### ■ Cod

You can use this menu item to enable actual values and parameters, which are reserved for qualified contractors.

#### Effect

A0 The only parameters displayed are those that have been released for the appliance user and can therefore be accessed without a code.

A1 Parameters for qualified contractors

A2 Parameters for service department

A1 or A2 is shown on the display when you enter the correct four-digit code.

If you switch to the actual values or parameters, you see the enabled parameters.



### Note

After entering the code, switch to the menu by pressing the "MENU" button. If you first switch to the standard display by pressing the "HOME" button, the parameter block is reactivated.

## 4.6 Switching off the appliance



### Material losses

If you interrupt the power supply to the appliance, check that humidity protection is ensured for the building.

The appliance has no ON/OFF switch. Disconnect the power supply at the fuse/MCB in the domestic distribution board.

## 5. Maintenance, cleaning and care

- ▶ Never use abrasive or corrosive cleaning agents. A damp cloth is sufficient for cleaning the appliance.

## 6. Troubleshooting

Faults detected by the appliance are stored in actual values I70 to I79. The latest fault is always stored in I70. The latest fault is also shown in the lower section of the standard display.

If you cannot remedy the fault, contact your qualified contractor. To facilitate and speed up your request, provide the number from the type plate (000000-0000-000000). The type plate is located on the control panel on the side of the appliance.

### Supposed errors

Problem	Cause	Remedy
Intensive ventilation continues to run after the external switch has been opened, although the value 0 is set for the follow-up time in parameter P2.	After opening the switch, it may take 10 seconds for the device to change the fan level.	No action required.



# INSTALLATION

## 7. Safety

Only a qualified contractor should carry out installation, commissioning, maintenance and repair of the appliance.

### 7.1 General safety instructions

We guarantee trouble-free function and operational reliability only if original accessories and spare parts intended for the appliance are used.

### 7.2 Instructions, standards and regulations



**Note**

Observe all applicable national and regional regulations and instructions.



**WARNING Burns**

In connection with the fire prevention regulations concerning the installation of ventilation systems, observe all country-specific regulations and requirements. In Germany, these are particularly the building regulation guideline on fire prevention requirements of ventilation systems in its applicable version.

### 7.3 Operation of the appliance in buildings with combustion equipment

The term "combustion equipment" used below includes, for example, tiled stoves, fireplaces and equipment with gas combustion.



**WARNING Injury**

Ventilation units can generate negative pressure in the dwelling. If combustion equipment is operating at the same time, combustion exhaust gases can penetrate the room where the combustion equipment is installed. It is therefore important to observe a number of points for simultaneous operation of a ventilation unit and combustion equipment.

The engineering, installation and operation of the ventilation unit and combustion equipment must be carried out in accordance with national and regional regulations.

#### 7.3.1 Planning safety measures

Together with the relevant authorities, engineers plan the safety measures that are required for simultaneous operation of a ventilation unit and combustion equipment.

#### Alternate operation

Alternate operation means that, when the combustion equipment is started, the mechanical ventilation system is switched off and/or cannot be started. Alternate operation must be ensured by appropriate measures, e.g. automatically enforced shutdown of the ventilation unit.

#### Simultaneous operation

For simultaneous operation of combustion equipment and a mechanical ventilation system, we recommend choosing approved room sealed combustion equipment (in Germany, with DIBt approval).

If open flue combustion equipment is operated in the dwelling at the same time as a ventilation unit, combustion exhaust gases must be prevented from penetrating the home as a result of possible negative pressure in the room.

The ventilation unit may only be operated in combination with intrinsically safe combustion equipment. This combustion equipment has, for example, a draught hood or an exhaust gas monitor and is permitted to be operated in conjunction with ventilation units. Alternatively, external, tested safety equipment can be connected to monitor the operation of the combustion equipment. For example, you can install differential pressure monitoring to monitor the chimney draught and to switch off the ventilation unit in the event of a fault.

The equipment for differential pressure monitoring must fulfil the following requirements:

- Monitoring of the differential pressure between the connection piece to the chimney and the room where the combustion equipment is installed
- Possibility of matching the shutdown value for the differential pressure to the minimum draught requirement for the combustion equipment
- Floating contact to switch off ventilation
- Optional connection of a temperature capturing device so that differential pressure monitoring is only enabled when the combustion equipment is in operation and so that unwanted shutdowns due to environmental influences can be avoided



**Note**

Differential pressure switches that use the pressure differential between the outdoor air pressure and the pressure in the room where the combustion equipment is sited as a response criterion are not suitable.



**Note**

We recommend installing and regularly maintaining a carbon monoxide detector in accordance with EN 50291 for operation of any combustion equipment.

#### 7.3.2 Commissioning

When commissioning the ventilation unit, it is important to check and document in the commissioning log that combustion exhaust gases are not penetrating the dwelling in a quantity that is harmful to health.

Acceptance must be carried out by a specialist. In case of doubt, you must involve an independent expert in the acceptance procedure.

### 7.3.3 Maintenance

Regular maintenance of the combustion equipment is prescribed. Maintenance includes checking the exhaust gas extraction system, the free pipe cross-sections and the safety equipment. The relevant qualified contractor responsible must prove that there is a sufficient flow of combustion air.

## 8. Appliance description

### 8.1 Standard delivery

The following are delivered with the appliance:

- Hardwired programming unit for wall mounting on finished walls, with adaptor cable
- Anti-vibration mounts

### 8.2 Zubehör

- You can obtain ventilation pipes, extract air and supply air vents and similar accessories from us.

## 9. Preparation

### 9.1 Storage



#### Material losses

Never store the appliance in dusty places.

### 9.2 Installation site



#### WARNING Electrocutation

You must not install the appliance in safety zones 0, 1 and 2. The safety zones are defined in the IEC 60364-7-701 standard.



#### Material losses

The appliance is not approved for outdoor installation.



#### Material losses

Check whether the ceiling can bear the weight of the appliance.



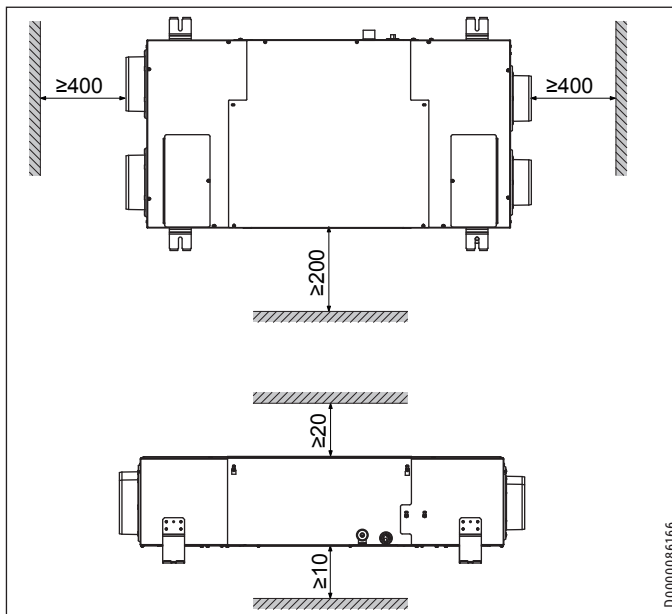
#### Material losses

The installation room must be free from the risk of frost.

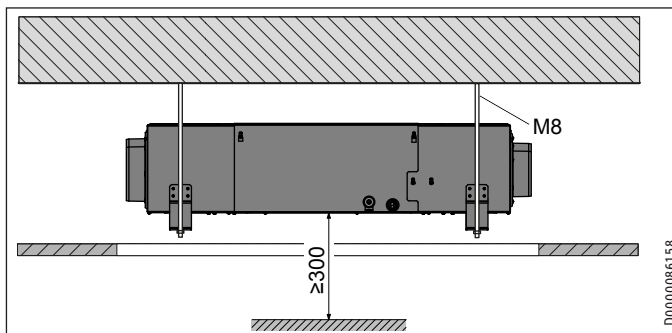
Ensure the appliance is level after installation.

The installation room must have an adequate condensate drain with siphon.

### Minimum clearances



D0000086166



D0000086158

The appliance must be accessible from below for changing filters and maintenance purposes. Mount a cover (600 x 1200 mm) beneath the appliance or design the suspended ceiling in such a way that it is removable under the appliance.

### 9.3 Transport



#### Material losses

If possible, transport the appliance to the installation location in its original packaging.

If the appliance is transported without packing and without using a pallet, its outer casing may be damaged.

Make sure that no objects drill through the outer envelope of the appliance.



#### Material losses

Never use the air connections as handles for carrying the appliance.

## 10. Installation



#### WARNING Electrocutation

Do not install the appliance if it is damaged and there is a risk that live components could be touched.

► Check the appliance for external damage.

# INSTALLATION

## Installation



### Material losses

- ▶ Make sure that there are no sharp objects at the installation location that could drill through the outer envelope of the appliance.

## 10.1 Mounting the appliance



### Material losses

- ▶ Check whether the ceiling can bear the weight of the appliance.



### Material losses

- ▶ Always install the appliance horizontally so that any condensate arising can flow into the condensate drain. The filter cassettes are located at the bottom of the appliance.



### Note

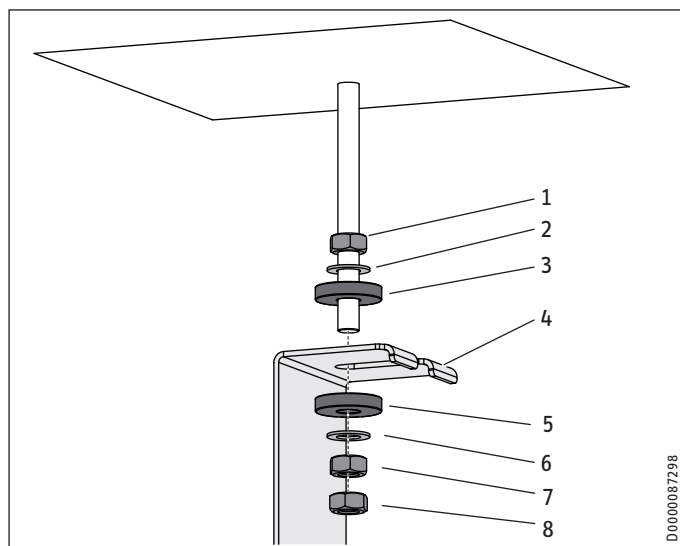
Install the appliance before mounting the ceiling panels of the suspended ceiling.



### Note

▶ When positioning the appliance, ensure there is sufficient space to install the supply and extract air ducts (see chapter "Preparations / Specification / Installation site / Minimum clearances").

- ▶ Drill holes in the ceiling for mounting the appliance with threaded pins or double ended screws.
- ▶ Fit the following parts onto each threaded pin in the sequence described.



- 1 Nut
- 2 Washer
- 3 Anti-vibration mount
- 4 Appliance mounting
- 5 Anti-vibration mount
- 6 Washer
- 7 Nut
- 8 Nut (Lock nut)

- ▶ Use a spirit level to check whether the appliance is level horizontally.

- ▶ Level the appliance horizontally by turning the nuts to ensure that condensate can drain correctly.

## 10.2 Connecting the condensate drain hose



### Material losses

The weight of the condensate drain hose must not exert a leverage effect on the "Condensate drain" connection. This could cause the condensate drain connection to leak or break off.

- ▶ Secure the condensate drain hose, e.g. to the ceiling.



### Material losses

To ensure that condensate drains correctly, always lay the condensate drain hose without any kinks. Lay the condensate drain hose with a fall of at least 10 %. Ensure the appliance is level after installation.

The drain pipe may only contain one siphon. The condensate must be able to drain freely downstream of the siphon.

The condensate must drain away via the domestic sewer system. The pipes must not rise in the domestic sewer system downstream of the siphon. The condensate drain must be free from the risk of frost.



### Note

Prevent air from being drawn in through the condensate drain.

- ▶ Install the condensate drain hose in such a way as to create a siphon with a water trap height of at least 60 mm.

- ▶ Before connecting the condensate drain hose to the appliance, pour water into the siphon.
- ▶ Push a condensate drain hose onto the condensate drain connection.
- ▶ Prevent the condensate drain hose from slipping off the condensate drain connection, e.g. with a cable tie.

# INSTALLATION

## Installation

### 10.3 Air ducts

**! Material losses**  
Never link cooker hoods to the ventilation system.

**! Material losses**  
During installation, ensure that no metal swarf enters the pipework. However, should this occur, remove this debris, otherwise the fans may be damaged.

Install the air ducts using materials that can be obtained from us or with commercially available folded spiral-seam tubes.

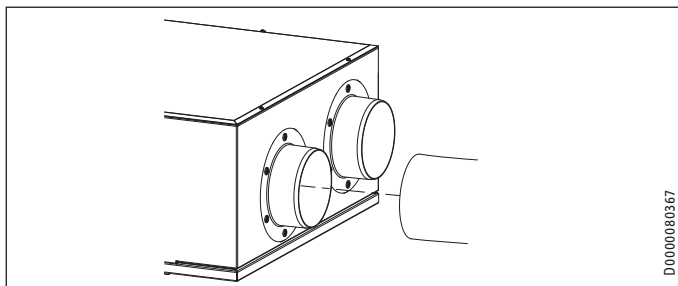
#### 10.3.1 Insulation against condensation

**! Material losses**  
When warm air meets cold surfaces, condensation can result.

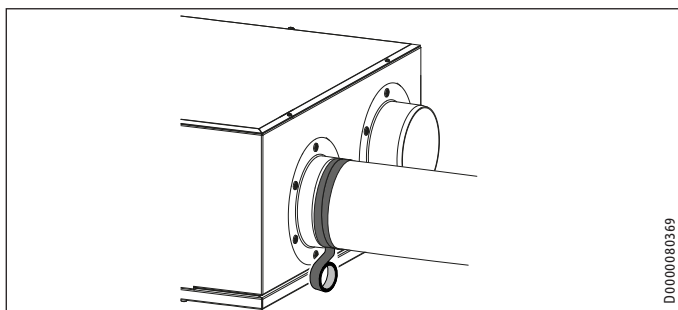
- ▶ For outdoor air and exhaust air ducts, use vapour proof thermally insulated pipes.
- ▶ If the supply and extract air ducts are routed through unheated rooms, insulate these ducts as well.

#### 10.3.2 Connecting air ducts to the appliance

You can connect air ducts with two different diameters to the appliance.



▶ Push the air duct onto the air connection.



▶ Secure the air duct at the appliance air duct connection with self-adhesive aluminium sealing tape.

#### 10.3.3 External wall ducts

Install the outdoor air intake into the building at a location where contamination (dust, soot, odours, flue gas, exhaust air) is as low as possible.

When installing external wall ducts, prevent any short circuit between the air intake and the air discharge.

#### 10.3.4 Silencer

▶ Install a silencer in both the supply air duct and the extract air duct. Install these silencers as close as possible to the appliance, so that noise is suppressed at an early stage.

We recommend installing additional silencers if required to avoid sound transmission.

If a room with a high noise level needs to be ventilated, install additional silencers upstream of this room to reduce sound transmission to the neighbouring rooms.

Aspects such as carried voices and impact sound must also be taken into consideration in the case of ducts embedded in concrete. Carried voices should be avoided by designing the duct with separate branches to the vents. If necessary, insulate the supply air ducts, e.g. if they are mounted outside the insulated wall panel.

#### 10.3.5 Overflow apertures

Living rooms and bedrooms are only supplied with air. Air is only extracted from rooms where odours and moisture are generated. Ensure an unimpeded overflow and consequently air balancing. Install ventilation grilles in internal doors or walls, or enlarge the air gap beneath the door to  $\geq 8$  mm.

#### 10.3.6 Cleaning apertures

▶ Fit cleaning apertures when installing the air ducts, so that the air ducts can be inspected and cleaned at regular intervals.

#### 10.3.7 Supply and extract air vents

Supply and extract air vents for the living space are available for wall or ceiling mounting.

When venting the kitchen, ensure that the extract air vent is fitted as far as possible from the cooker.

### 10.4 Electrical connection

**⚡ WARNING Electrocutation**  
Carry out all electrical connection and installation work in accordance with national and regional regulations.

**⚡ WARNING Electrocutation**  
Before any work on the appliance, isolate the connecting cables in the control panel.

**⚡ WARNING Electrocutation**  
Do not install the appliance if it is damaged and there is a risk that live components could be touched.

- ▶ Check the appliance for external damage.

**⚡ WARNING Electrocutation**  
If the appliance is permanently connected to the power supply, ensure that the appliance can be separated from the power supply by an isolator that disconnects all poles with at least 3 mm contact separation.

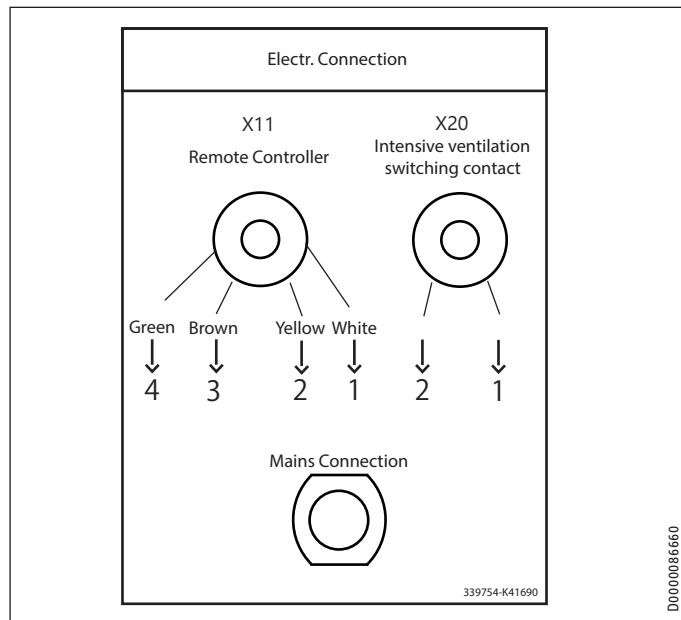
**! Material losses**  
Observe the fuse protection required for the appliance (see chapter "Specification / Data table").

# INSTALLATION

## Commissioning



**Note**  
For the power cable, connections and connecting cables to external control equipment, see chapter "Electrical connection" and the wiring diagram in chapter "Specification".



- X11 Remote control (Safety extra low voltage)
- X20 Intensive ventilation switching contact
- 1 White
- 2 Yellow
- 3 Brown
- 4 Green

### Power supply

Use the plug on the power cable to connect the appliance to a standard socket.

### Programming unit

X11: Programming unit connection (Safety extra low voltage)

The programming unit is connected with an I<sup>2</sup>C bus. See programming unit operating and installation instructions.

The programming unit is delivered with an adaptor cable whose wires are marked with numbers. Connect the adaptor cable in such a way that the same numbers are connected to one another.

### Safety equipment for stove/fireplace operation

- ▶ Install the safety equipment in such a way that it interrupts the appliance power supply when required.

## 10.5 Overflow apertures

Create suitable overflow apertures in the supply air area or overflow area.

## 11. Commissioning



**WARNING Injury**  
If the unit is switched on without the air ducts connected and someone reaches through the air connectors into the unit, there is a risk of injury.  
Do not commission the unit until the air ducts are firmly connected to it.



**Material losses**  
Never operate the appliance without filters.



**Material losses**  
Never operate the ventilation system if there are high levels of dust inside the building or outside in the immediate vicinity, as this could block the filter. Dust is created by cutting tiles or working with plasterboard, for example.

### 11.1 Initial start-up

#### Enable fan

The fans are deactivated in the delivered condition.

- ▶ P28: Set the parameter to "On".

#### Setting air flow rates

- ▶ Use parameters P6 to P9 to set the air flow rates for the fan stages.

#### Date

- ▶ Set the current day of the week.

P80	1		Monday
	2		Tuesday
	3		Wednesday
	4		Thursday
	5		Friday
	6		Saturday
	7		Sunday

#### Time

- ▶ Set the current time.

P81	00:00	-	23:59	
-----	-------	---	-------	--

### 11.2 Recommissioning

- ▶ Check whether filters are fitted in the appliance. Never operate the appliance without filters.
- ▶ Check whether the condensate drain hose is damaged or kinked.

## 12. Settings

### 12.1 Parameter

	Description	Code	Unit	Min.	Max.	Options	Standard
P2	Intensive ventilation runtime	A0	min	0	240		30
P4	Reset filter	A0				0   1	0
P6	Flow rate, stage 0	A1	m <sup>3</sup> /h	50	100		100
P7	Flow rate, stage 1	A1	m <sup>3</sup> /h	50	180		90
P8	Flow rate, stage 2	A1	m <sup>3</sup> /h	50	180		140
P9	Flow rate, stage 3	A1	m <sup>3</sup> /h	110	180		180
P14	Supply air flow rate offset	A1	m <sup>3</sup> /h	-100	100		0
P15	Humidity protection interval	A1	h	1	24		1
P16	Start-up time for humidity measurement	A1	min	5	15		5
P17	Extract air humidity limit	A1	%	5	95		60
P19	Filter change interval	A1	d	1	365		365
P28	Enable fan	A0				On   OFF	On
P29	Appliance type	A1					7
P31	Enabling of humidity-dependent flow rate control	A1				0   1	1
P32	Enable outdoor air condensate prevention	A2				0   1	1
P33	Temperature offset for condensate prevention	A2	K	-5,0	5,0		0
P70	Delete fault list	A1				0   1	0
P80	Day	A0		1	7		
P81	Time	A0		00:00	23:59		
P82	Level of lighting	A0		2	10		10
P83	Mode of backlighting	A0				Auto   On   OFF	Auto
P84	Illumination duration	A0	s	10	500		60
P85	Lower standard display	A0				OFF   Time   Set room temperature   Extract air temp.   Extract air humidity	Extract air humidity

P28: Delivered condition OFF

#### ■ P14: Supply air flow rate offset

Use this parameter to adjust the supply air flow rate during commissioning. The offset relates to standard ventilation. The offset is converted internally as a percentage for the other fan stages.

#### Example

- Nominal flow rate (stage 2): 125 m<sup>3</sup>/h
- Offset: 25 m<sup>3</sup>/h

Stage	Set flow rate	Offset	Set flow rate + offset	Offset factor	Internal set flow rate = set flow rate * offset factor
0	50				50*1.2 = 60
1	90				90*1.2 = 108
2	125	25	125+25 = 150	150/125 = 1.2	125*1.2 = 150
3	180				180*1.2 = 216

#### ■ P15: Humidity protection interval

If you set fan stage 0, the appliance switches to a 24 hour dormant phase. The humidity protection control unit only starts after this.

The appliance measures the humidity of the extract air for the time set in P16. The appliance compares the last measured value with the limit value set in P17. If the limit value is exceeded, the appliance starts to ventilate. The appliance stops the ventilation once the limit value is fallen below. At this point, the humidity protection interval restarts, at the end of which the moisture is measured.

#### ■ P16: Start-up time for humidity measurement

The appliance measures the humidity of the extract air for the time set in P16. The appliance compares the last measured value with the limit value set in P17.

#### ■ P29: Appliance type

This parameter is set at the factory. The parameter can only be set after the controller assembly has been replaced.

#### ■ P31: Enabling of humidity-dependent flow rate control

With humidity-dependent flow rate control, the air flow rate is increased or decreased depending on the humidity level.

#### ■ P32: Enable outdoor air condensate prevention

The condensate prevention function is intended for appliances without enthalpy heat exchangers installed in subtropical climates.

If the unit is in ventilation mode and this parameter has the value 1, the unit checks the following conditions:

- Outdoor air temperature > Extract air temperature
- Extract air temperature + P33 < Outdoor air dew point

If both conditions are met, the unit switches the fans off. After a shutdown, the unit switches on the fans cyclically and checks whether the conditions are still valid or whether ventilation mode can be resumed.

Interval between measurements	min	60
Duration of measurement	min	5

#### ■ P33: Temperature offset for condensate prevention

This parameter is used to vary the shutdown point for condensate prevention. This allows the fans to be switched off 2 K before the dew point temperature is reached, for example.

#### ■ P70: Delete fault list

To delete the fault list, set this parameter to 1. Press the "OK" button to confirm. Afterwards, 0 is displayed again and the fault list is deleted.

### 12.2 Actual values

	Description	Unit
I2	Extract air temperature	°C
I3	Relative humidity of extract air	%
I4	Filter service life	h
I5	Appliance software version	
I6	Unit software patch	
I7	Terminal device serial number	
I8	Programming unit software version	
I9	Outdoor air temperature	°C
I10	Supply air temperature	°C
I12	Relative humidity of outdoor air	%
I13	Extract air dew point	°C
I14	Outdoor air dew point	°C
I15	Supply air fan drive output	%
I17	Exhaust air fan drive output	%
I20	Ventilation unit operating time	d
I21	Fan operating time	d
I23	Fan speed, supply air fan	rpm
I24	Fan speed, exhaust air fan	rpm
I70-79	Fault	

### 12.3 Code

#### ■ Cod

Enter 1000 to enable actual values and parameters, which are reserved for qualified contractors. "A1" is shown on the display when this is entered correctly.

## 13. Appliance shutdown

We recommend running the appliance in fan stage 1, even during prolonged absence.



#### Material losses

If you interrupt the power supply to the appliance, check that humidity protection is ensured for the building.

If the appliance needs to be taken out of use for an extended period, disconnect it from the power supply.

- Replace the filters.

## 14. Maintenance



#### WARNING Electrocutation

Disconnect the appliance from the power supply before carrying out work inside the appliance.

Activity	Maintenance interval (in years)
Filters	1/4
Cleaning the condensate pan	1
Condensate drain	1
Clean cross-countercurrent heat exchanger	3
Fan	3
Air ducts	3

- Open the cover beneath the appliance or remove the suspended ceiling panels under the appliance.
- Interrupt the power supply.

#### Filters



#### Material losses

Never operate the appliance without filters.



#### Material losses

Operate the appliance with at least the recommended filter class. Ensure that filters are fitted precisely so that they can fulfil their function.

- Inspect the filters for the first time three months after commissioning the appliance.

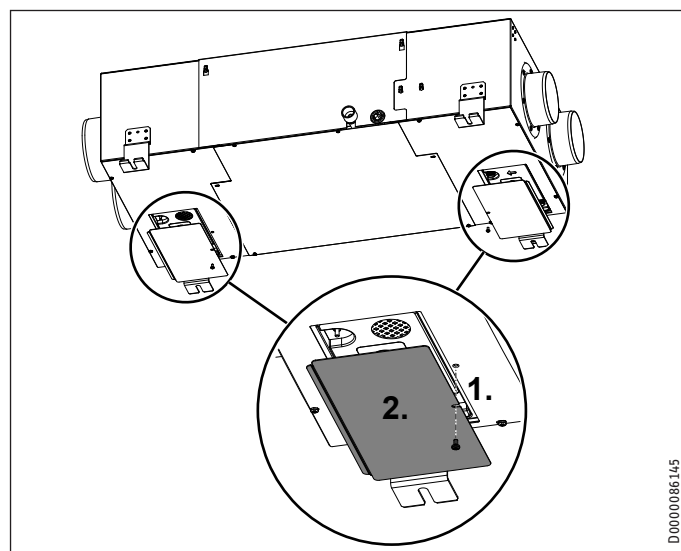
When the total fan runtimes reach the "Filter change interval" value, which can be set by the qualified contractor, the programming unit displays the "Filter" symbol.

The qualified contractor can lengthen or shorten the interval for inspecting filters depending on the level of contamination.

If the "filter" symbol illuminates, check the filters.

Change the filters if the surface is covered completely in dirt or the filter is discoloured throughout.

Change the filters at least every 12 months.

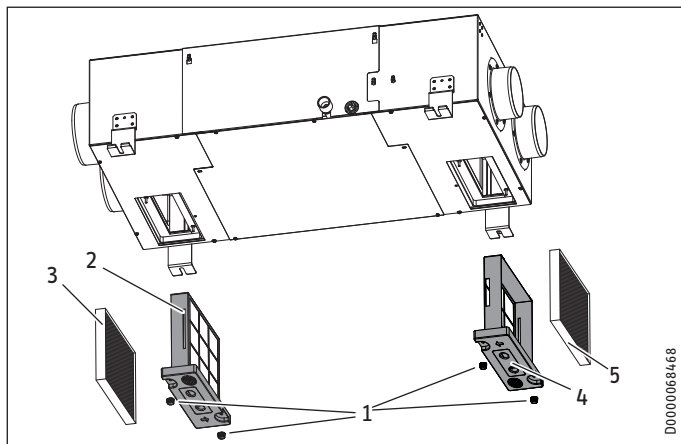


- Undo the screw in the cover. Do not let it fall.

# INSTALLATION

## Maintenance

- ▶ Remove the cover.



- 1 Wing screw
- 2 Filter cassette, extract air filter
- 3 Extract air filter
- 4 Filter cassette, outdoor air filter
- 5 Outdoor air filter

- ▶ Undo the wing screw on the filter cassette of the extract air filter by turning the screw anti-clockwise.
- ▶ Remove the filter cassette from the appliance.

Part number	Product name	Description	Classification in accordance with ISO 16890	Quantity
337409	FILTER COARSE 60 G4 SUPPLY AIR VCR 180 ECN	Coarse particle filter mat	ISO Coarse > 60 % (G4)	2

- ▶ If necessary, place a new filter in the filter cassette.



### Material losses

Operate the appliance with at least the recommended filter class. Ensure that filters are fitted precisely so that they can fulfil their function.

- ▶ Ensure that the direction of air flow through the filter is correct.

G4, M5, F7: The direction of flow is indicated by an arrow on the side of the filter.

- ▶ Push the filter cassette into the appliance. Ensure that the filter cassette is installed in the intended position. The arrow on the filter cassette and the arrow on the appliance must point in the same direction.
- ▶ To secure the filter cassette, turn the wing screw clockwise.
- ▶ Undo the wing screw on the filter cassette of the outdoor air filter by turning the screw anti-clockwise.
- ▶ Remove the filter cassette from the appliance.
- ▶ If necessary, place a new filter in the filter cassette.
- ▶ Push the filter cassette into the appliance. Ensure that the filter cassette is installed in the intended position. The arrow on the filter cassette and the arrow on the appliance must point in the same direction.
- ▶ To secure the filter cassette, turn the wing screw clockwise.
- ▶ Make a note of the filter change date.



### Note

▶ Log the filter inspection in the appendix of this manual.

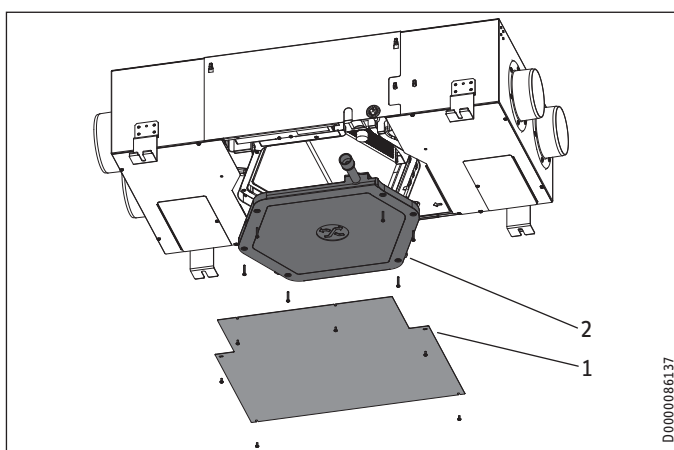
- ▶ Fit the cover.
- ▶ Switch on the power supply to the appliance.
- ▶ Order new filters in good time or purchase a filter subscription.



### Note

If other filters are installed in the system, e.g. filters in the extract air vents or a filter box, also perform the inspection there and change the filter(s) if necessary.

### Condensate pan



- 1 Cover
- 2 Condensate pan

- ▶ Undo the screws in the cover. Do not let it fall.
- ▶ Remove the cover.
- ▶ Undo the fixing screws of the condensate pan.
- ▶ Remove the condensate pan from the appliance carefully as it may still contain water.

### Condensate drain



### Material losses

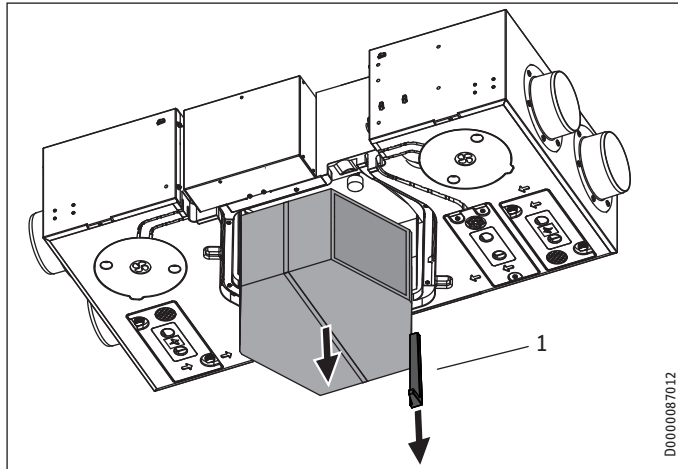
A blocked condensate drain can cause appliance faults. If the condensate drain is blocked, condensate can escape from the appliance in an uncontrolled manner and cause water damage.



# INSTALLATION

## Troubleshooting

### Cross-countercurrent heat exchanger



1 Wedge



**CAUTION Injury**  
After the wedge has been removed, the cross-countercurrent heat exchanger may become detached and fall down.  
▶ When you remove the wedge, you must also remove the cross-countercurrent heat exchanger.

- ▶ Remove the wedge from between the appliance body and the cross-countercurrent heat exchanger.
- ▶ Carefully remove the heat exchanger from the unit. Do not let it fall. Avoid damaging the EPS parts in the appliance.
- ▶ Use a commercially available vacuum cleaner to remove dust and other loose dirt particles from the intake and discharge surfaces.
- ▶ If required, clean the heat exchanger with warm water (max. 55 °C) and a commercially available detergent. Do not use solvents.
- ▶ Flush the heat exchanger with water.

### Fan

You can clean the fans without disconnecting the cables leading to the fans. Nevertheless, we recommend removing the control panel cover. Then you can unplug the control cable and power cable from the printed circuit board.

- ▶ Undo the screws securing the fans.
- ▶ Clean the fans with a soft brush.

### Refitting the components

- ▶ Push the fan units back into the appliance.
- ▶ Reconnect the fan cables.
- ▶ Fit the control panel cover.
- ▶ Slide the cross-countercurrent heat exchanger back into the appliance.
- ▶ Push the wedge back in again.
- ▶ Fit the condensate pan.
- ▶ Fit the cover.

### Air ducts

Air ducts must be checked at regular intervals and cleaned if necessary. Disconnect the air ducts from the appliance or carry out inspection and cleaning through the extract air and supply air vents.

## 15. Troubleshooting



**WARNING Electrocutation**  
Disconnect the power supply by unplugging the appliance from the mains before carrying out work inside the appliance.

Fault	Effect	Remedy
---	No fault present	
E8	No humidity value for the extract air	The unit cannot provide humidity protection. Isolate the appliance from the power supply. Check the sensor cable. Replace the sensor.
E10	No temperature value for the extract air	Isolate the appliance from the power supply. Check the sensor cable.
E11	No temperature value for the outdoor air	Isolate the appliance from the power supply. Check the sensor cable.
E16	The condensate float switch has responded.	The unit switches off the fans. Check the condensate drain. Check the cable for break-ages.
E17	Outdoor air temperature sensor short circuit	No control to the comfort temperature required for passive houses of at least 16.5 °C in the supply air. Isolate the appliance from the power supply. Check the sensor cable.
E18	Outdoor air temperature sensor lead break	No control to the comfort temperature required for passive houses of at least 16.5 °C in the supply air. Isolate the appliance from the power supply. Check the sensor cable.
E101	Supply air fan	The unit does not receive any speed feedback from the fan. There is no effect on the flow rate control mode. Isolate the appliance from the power supply. Check the cabling. Check the PWM control signal that the electronic assembly sends to the fan. Check the speed signal that the fan sends to the electronic assembly. Replace the fan.
E102	Exhaust air fan	The unit does not receive any speed feedback from the fan. There is no effect on the flow rate control mode. Isolate the appliance from the power supply. Check the cabling. Check the PWM control signal that the electronic assembly sends to the fan. Check the speed signal that the fan sends to the electronic assembly. Replace the fan.
E105	Maximum outdoor air temperature exceeded	The high limit safety cut-out may respond. Isolate the appliance from the power supply. Check the air flow rate. Check the triac for continuity. Check the sensor cable.
E201	No RTC communication (RTC = real-time clock)	Time-dependent program sequences are disrupted. Isolate the appliance from the power supply. Replace the electronic assembly.
E202	No RTC pulse	Time-dependent program sequences are disrupted. Isolate the appliance from the power supply. Replace the electronic assembly.
E203	Sensor voltage incorrect	The unit controls the fans with the maximum value of the currently set fan stage. The unit cannot provide humidity protection. Isolate the appliance from the power supply. Check the sensor voltage after disconnecting one of the following sensor plugs: X15, X16, X23, X24. Replace the sensor. Replace the electronic assembly.

# INSTALLATION

## Disposal

Fault	Effect	Remedy
E204 Supply air shutdown	If the supply air temperature falls below 5 °C, the fan is switched off.	Check the triac for continuity.
E205 Maximum outdoor air temperature exceeded	The high limit safety cut-out may respond.	Isolate the appliance from the power supply. Check the triac for continuity. Check the sensor cable.

If fault E16 is displayed, faults E101 and E102 are also displayed in the fault memory.

## 16. Disposal

### Removal



**WARNING Electrocutation**  
Disconnect the appliance from the power supply.

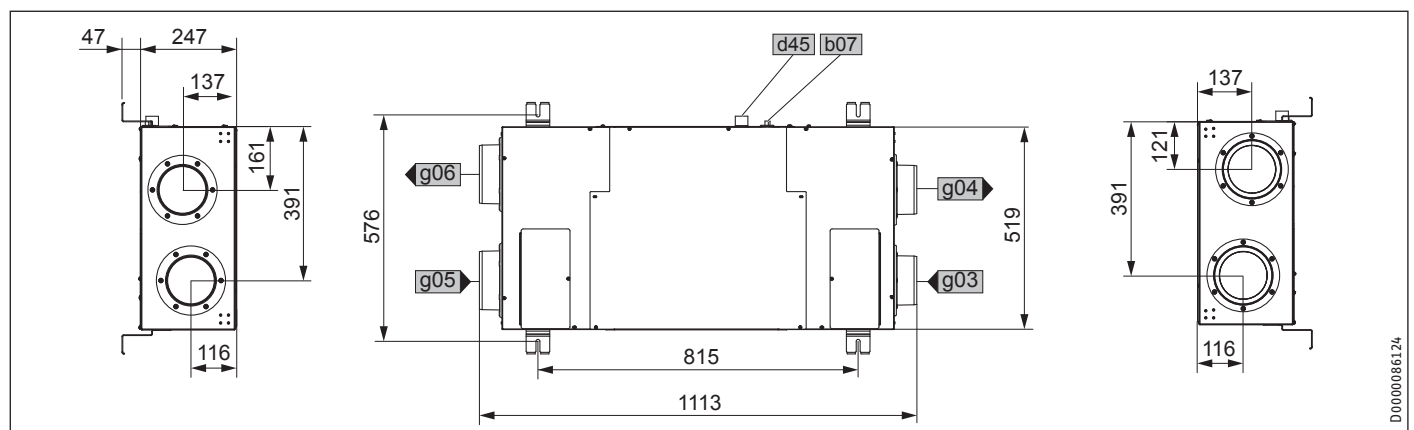
The following tools are required for disassembly and material separation prior to disposal:

- Personal protective equipment
- Set of screwdrivers
- Set of spanners
- Combi pliers
- Stanley knife

## 17. Specification

### 17.1 Dimensions and connections

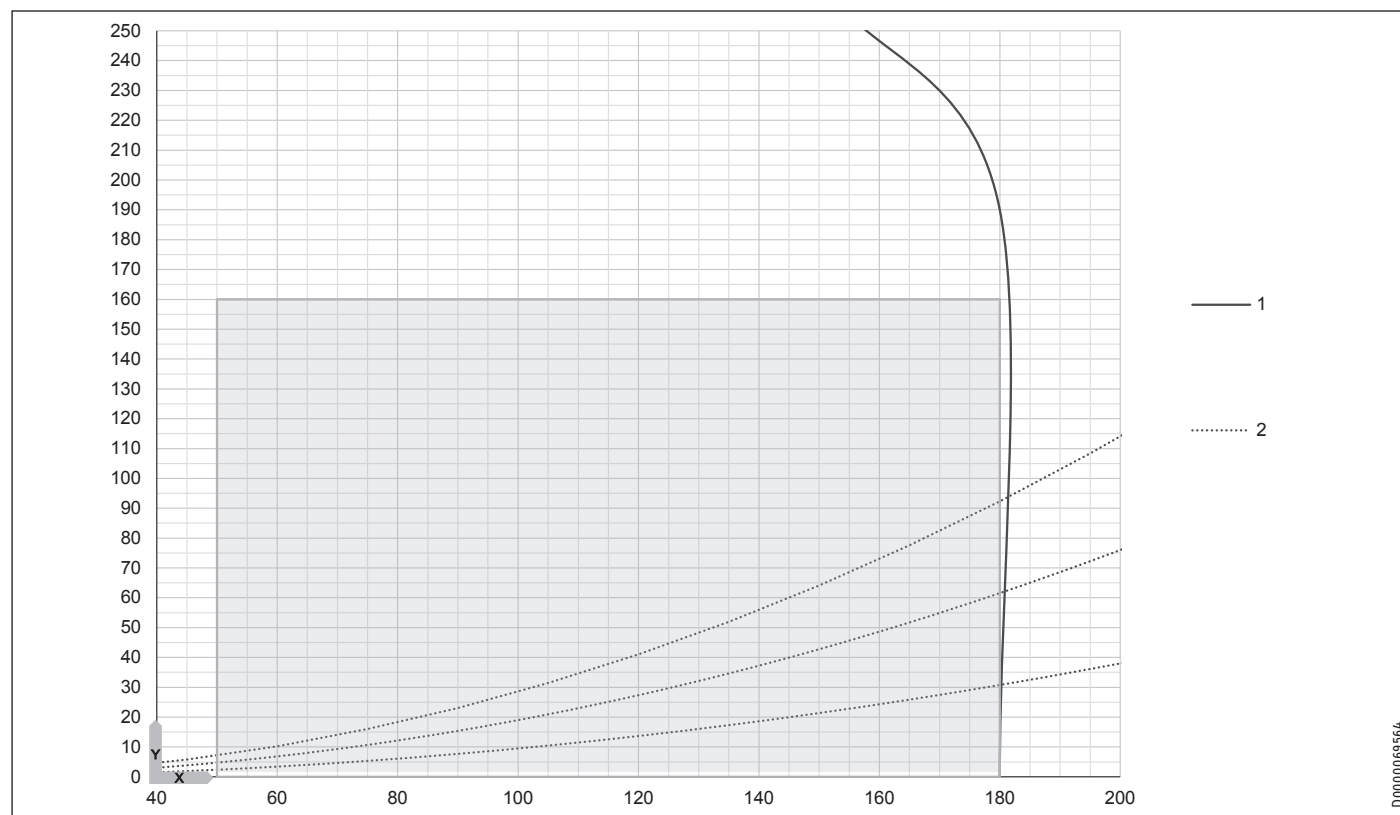
#### VCR 180 MC



			VCR 180 MC
b07	Electrical connection		
d45	Condensate drain	Diameter	16.5
g03	Outdoor air	Nominal diameter	DN 150
g04	Exhaust air	Nominal diameter	DN 150
g05	Extract air	Nominal diameter	DN 150
g06	Supply air	Nominal diameter	DN 150

## 17.2 Fan diagram

The graph shows the pressure drop for examples of air distribution systems.



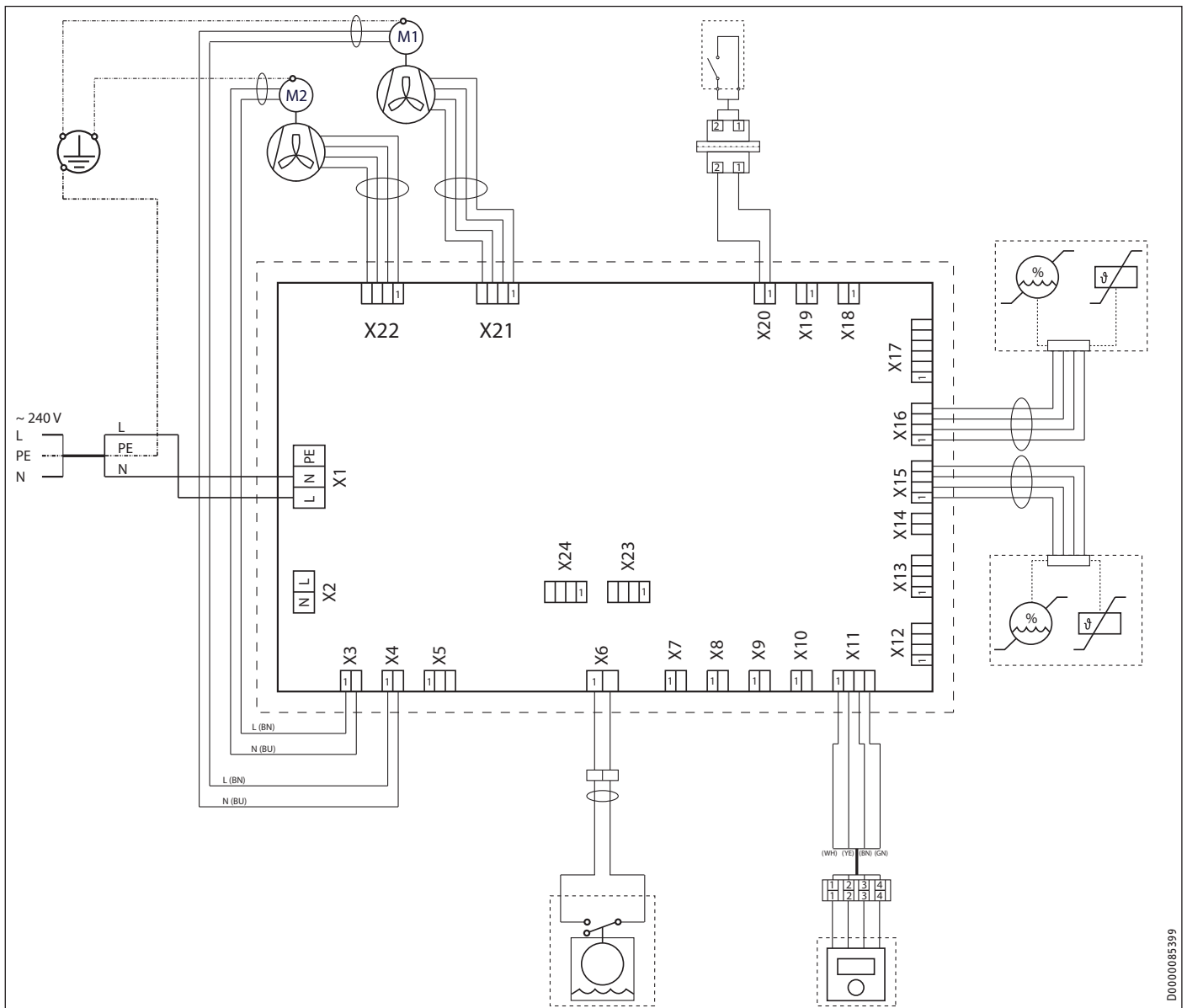
Application range  
 X Air flow rate [m<sup>3</sup>/h]  
 Y Average value, static pressure [Pa]

1 Maximum fan curve  
 2 System curves

D0000069564

# INSTALLATION Specification

## 17.3 Wiring diagram



- X1 Mains power connection
- X3 Supply air fan power cable
- X4 Exhaust air fan power cable
- X6 Internal float switch
- X11 Remote control
- X15 Outdoor air temperature and humidity sensor
- X16 Extract air temperature and humidity sensor
- X20 Intensive ventilation switching contact
- X21 Exhaust air fan control cable
- X22 Supply air fan control cable

D0000085399

# INSTALLATION

## Specification

### 17.4 Data table

			VCR 180 MC
			201848
Length		mm	1113
Width		mm	640
Height		mm	292
Weight		kg	27
Condensate connection		mm	16.5
Air connection	Exhaust air/Outdoor air		DN 150
	Supply air/Extract air		DN 150
Internal leakage to EN 13141-7 (100 Pa)		m <sup>3</sup> /h	1.1
External leakage to EN 13141-7 (250 Pa)		m <sup>3</sup> /h	3.5
Air flow rate		m <sup>3</sup> /h	50-180
Electrical efficiency to EN 13141-7		Wh/m <sup>3</sup>	0.30
Heat recovery level	Standard point 1 to EN 13141-7	%	89
	at 126 m <sup>3</sup> /h		
Unit sound power level (with reference to EN ISO 9614-2 and EN 13141-7) in installation position with service flap closed (plasterboard, 12.5 mm thick). Air flow rate: 180 m <sup>3</sup> /h; external pressure per duct: 100 Pa		dB(A)	40
Unit sound power level (with reference to EN ISO 9614-2 and EN 13141-7) in installation position with service flap closed (plasterboard, 12.5 mm thick). Air flow rate: 126 m <sup>3</sup> /h; external pressure per duct: 50 Pa		dB(A)	33
Rated voltage		V	240
Phases			1/N/PE
Nominal power consumption at	Without preheating coil	W	30 W @ 220 V
		W	30 W @ 240 V
	With preheating coil	W	-
IP rating			IP20
Max. mains impedance		Ω	0.32
Storage and transport temperature		°C	≤ 50
Max. ambient conditions, installation room (temperature) (dry air, no condensation on the unit casing)		°C	50
Min. ambient conditions, installation room (temperature)		°C	5
Application range, outdoor air (temperature)		°C	0 - 45
Application range, extract air (temperature)		°C	15 - 35

### Further details

			VCR 180 MC
			201848
Maximum altitude for installation		m	2000

### **Guarantee**

The guarantee conditions of our German companies do not apply to appliances acquired outside of Germany. In countries where our subsidiaries sell our products a guarantee can only be issued by those subsidiaries. Such guarantee is only granted if the subsidiary has issued its own terms of guarantee. No other guarantee will be granted.

We shall not provide any guarantee for appliances acquired in countries where we have no subsidiary to sell our products. This will not affect warranties issued by any importers.

### **Environment and recycling**

We would ask you to help protect the environment. After use, dispose of the various materials in accordance with national regulations.

**Warranty Stiebel Eltron Australia Only - According to national regulations in Australia**

STIEBEL ELTRON solutions do not only convince with premium quality, but also outstanding reliability. If you encounter problems with one of our products, rest assured that our national service team will take care of it. We pride ourselves with great customer service as we consider this the basis for a long and successful partnership. For further information, please refer to the detailed warranty conditions listed below or contact our service team on 1800 153 351.

**Australian Consumer Law**

1. Our goods come with guarantees that cannot be excluded under the Australian Consumer Law. You are entitled to a replacement or refund for a major failure and compensation for any other reasonably foreseeable loss or damage. You are also entitled to have the goods repaired or replaced if the goods fail to be of acceptable quality and the failure does not amount to a major failure.
2. The STIEBEL ELTRON warranty for the unit is in addition to any rights and remedies you may have under the Australian Consumer Law.
3. Without excluding or limiting any rights you may have under the Australian Consumer Law, any guarantees or warranties that would otherwise be implied by law are excluded. If your rights under the Australian Consumer Law can be limited, they are limited to the maximum extent permitted by the Australian Consumer Law.

**Who gives the warranty**

4. The warranty is given by Stiebel Eltron (Aust) Pty Ltd (A.B.N. 82 066 271 083) of 294 Salmon Street, Port Melbourne, Victoria, 3207 (“we”, “us” or “our”).

**The unit**

5. This warranty applies to STIEBEL ELTRON Ventilation Solutions – Model VCR 180 MC (the “unit”).

**The warranty period**

6. The warranty period commences on the date of completion of the installation of the unit. Where the date of completion of installation is not known, then the warranty period will commence 2 months after the date of manufacture.
7. The warranty period for a unit used for domestic purposes is shown in the table below. Domestic purposes means that the unit is used in a domestic dwelling.

Component	Warranty period
All components	2 years from the date of completion of the installation of the unit.

8. The warranty period for a unit used for commercial purposes is shown in the table below. Commercial purposes means that the unit is used for a non-domestic purpose and includes but is not limited to being used in a motel, hotel, mining camp or nursing home.

Component	Warranty period
All components	2 years from the date of completion of the installation of the unit.

**Warranty entitlement**

9. You are only entitled to make a warranty claim under this warranty if:
  - 9.1. you own the unit or if you have the owner’s written consent to represent the owner of the unit;
  - 9.2. you contact us within a reasonable time of discovering the problem with the unit and in any event within 30 days;

**Warranty claim**

10. To make a valid warranty claim you must provide us with the following information:
  - 10.1. the model number of the unit;
  - 10.2. a description of the problem with the unit;
  - 10.3. the name, address and contact details (such as phone number and e-mail address) of the owner;
  - 10.4. the address where the unit is installed and the location (e.g. in laundry);
  - 10.5. the serial number of the unit;
  - 10.6. the date of purchase of the unit and the name of the seller of the unit;
  - 10.7. the date of installation of the unit;
  - 10.8. a copy of the certificate of compliance when the unit was installed.
11. The contact details for you to make your warranty claim are:

Name: Stiebel Eltron (Aust) Pty Ltd  
 Address: 294 Salmon Street, Port Melbourne VIC 3207  
 Telephone: 1800 153 351 (8.00 am to 5.00 pm AEST Monday to Friday)  
 Contact person: Customer Service Representative  
 E-mail: service@stiebel-eltron.com.au

12. We will arrange a suitable time with you to inspect and test the unit.

### Warranty

13. Subject to the warranty exclusions, we will repair or replace, at our absolute discretion, a faulty component in your unit free of charge if it fails to operate in accordance with its specifications, and you make a valid warranty claim in accordance with this warranty, during the warranty period.
14. If we repair or replace a faulty component to your unit under this warranty, the warranty period is not extended from the time of the repair or replacement.

### Warranty exclusions

15. We may reject your warranty claim if:
  - 15.1. the unit was not installed by a registered and suitably qualified tradesperson.
  - 15.2. the unit was not installed and commissioned:
    - a) in Australia;
    - b) in accordance with the Operating and Installation Guide (which is available on the Stiebel Eltron Australia website and request);
    - c) in accordance with the relevant statutory and other legal requirements of the State or Territory the unit is installed.
  - 15.3. the unit has not been operated or maintained in accordance with the Operating and Installation Guide.
  - 15.4. the unit does not bear its original Serial Number or Rating Label.
  - 15.5. the unit was damaged by or is faulty due to any or any combination of the following:
    - a) normal fair wear and tear;
    - b) connection to an incorrect or faulty power supply;
    - c) connection to faulty equipment, such as a faulty circuit breaker;
    - d) accidental or malicious damage;
    - e) act of God, flood, storm, fire, lightning strike, cyclones, earthquakes, natural disasters or other similar actions of the elements;
    - f) wiring not to AS/NZS 3000 standards.
  - 15.6. the unit was damaged before it was installed e.g. it was damaged in transit.
  - 15.7. an unauthorised person has modified, serviced, repaired or attempted to repair the unit without our written consent.
  - 15.8. non genuine parts other than those manufactured or approved by us have been used on the unit.
16. We may charge you:
  - 16.1. for any additional transport costs if the unit is installed more than 30 kilometres from our closest authorised service technician.
  - 16.2. for the extra time it takes our authorised service technician to access the unit for inspection and testing if it is not sited in accordance with the Operating and Installation Guide or not readily accessible for inspection.

- 16.3. for any extra costs of our authorised service technician to make the unit safe for inspection.
17. You must ensure that access to the unit by our authorised service technician is safe and free from obstruction.
18. Our authorised service technician may refuse to inspect and test the unit until you provide safe and free access to it, at your cost.
19. If we reject your warranty claim in accordance with clause 15, we may charge you for our authorised service technician's labour costs to inspect and test the unit.
20. In order to properly test the unit, we may remove it to another location for testing.





---

## NOTES

---

---

## NOTES

---

## Deutschland

STIEBEL ELTRON GmbH & Co. KG  
Dr.-Stiebel-Straße 33 | 37603 Holzminden  
Tel. 05531 702-0 | Fax 05531 702-480  
info@stiebel-eltron.de  
www.stiebel-eltron.de

## Verkauf

Tel. 05531 702-110 | Fax 05531 702-95108 | info-center@stiebel-eltron.de

## Kundendienst

Tel. 05531 702-111 | Fax 05531 702-95890 | kundendienst@stiebel-eltron.de

## Ersatzteilverkauf

Tel. 05531 702-120 | Fax 05531 702-95335 | ersatzteile@stiebel-eltron.de

## Australia

STIEBEL ELTRON Australia Pty. Ltd.  
294 Salmon Street | Port Melbourne VIC 3207  
Tel. 03 9645-1833 | Fax 03 9644-5091  
info@stiebel-eltron.com.au  
www.stiebel-eltron.com.au

## Austria

STIEBEL ELTRON Ges.m.b.H.  
Gewerbegebiet Neubau-Nord  
Margaritenstraße 4 A | 4063 Hörsching  
Tel. 07221 74600-0 | Fax 07221 74600-42  
info@stiebel-eltron.at  
www.stiebel-eltron.at

## Belgium

STIEBEL ELTRON bvba/sprl  
't Hofveld 6 - D1 | 1702 Groot-Bijgaarden  
Tel. 02 42322-22 | Fax 02 42322-12  
info@stiebel-eltron.be  
www.stiebel-eltron.be

## China

STIEBEL ELTRON (Tianjin) Electric Appliance  
Co., Ltd.  
Plant C3, XEDA International Industry City  
Xiqing Economic Development Area  
300085 Tianjin  
Tel. 022 8396 2077 | Fax 022 8396 2075  
info@stiebel-eltron.cn  
www.stiebel-eltron.cn

## Czech Republic

STIEBEL ELTRON spol. s r.o.  
Dopraváků 749/3 | 184 00 Praha 8  
Tel. 251116-111 | Fax 235512-122  
info@stiebel-eltron.cz  
www.stiebel-eltron.cz

## Finland

STIEBEL ELTRON OY  
Kapinakuja 1 | 04600 Mäntsälä  
Tel. 020 720-9988  
info@stiebel-eltron.fi  
www.stiebel-eltron.fi

## France

STIEBEL ELTRON SAS  
7-9, rue des Selliers  
B.P 85107 | 57073 Metz-Cédex 3  
Tel. 0387 7438-88 | Fax 0387 7468-26  
info@stiebel-eltron.fr  
www.stiebel-eltron.fr

## Hungary

STIEBEL ELTRON Kft.  
Gyár u. 2 | 2040 Budaörs  
Tel. 01 250-6055 | Fax 01 368-8097  
info@stiebel-eltron.hu  
www.stiebel-eltron.hu

## Japan

NIHON STIEBEL Co. Ltd.  
Kowa Kawasaki Nishiguchi Building 8F  
66-2 Horikawa-Cho  
Saiwai-Ku | 212-0013 Kawasaki  
Tel. 044 540-3200 | Fax 044 540-3210  
info@nihonstiebel.co.jp  
www.nihonstiebel.co.jp

## Netherlands

STIEBEL ELTRON Nederland B.V.  
Daviottenweg 36 | 5222 BH 's-Hertogenbosch  
Tel. 073 623-0000 | Fax 073 623-1141  
info@stiebel-eltron.nl  
www.stiebel-eltron.nl

## Poland

STIEBEL ELTRON Polska Sp. z O.O.  
ul. Działkowa 2 | 02-234 Warszawa  
Tel. 022 60920-30 | Fax 022 60920-29  
biuro@stiebel-eltron.pl  
www.stiebel-eltron.pl

## Russia

STIEBEL ELTRON LLC RUSSIA  
Urzhumskaya street 4,  
building 2 | 129343 Moscow  
Tel. 0495 7753889 | Fax 0495 7753887  
info@stiebel-eltron.ru  
www.stiebel-eltron.ru

## Slovakia

STIEBEL ELTRON Slovakia, s.r.o.  
Hlavná 1 | 058 01 Poprad  
Tel. 052 7127-125 | Fax 052 7127-148  
info@stiebel-eltron.sk  
www.stiebel-eltron.sk

## Switzerland

STIEBEL ELTRON AG  
Industrie West  
Gass 8 | 5242 Lupfig  
Tel. 056 4640-500 | Fax 056 4640-501  
info@stiebel-eltron.ch  
www.stiebel-eltron.ch

## Thailand

STIEBEL ELTRON Asia Ltd.  
469 Moo 2 Tambol Klong-Jik  
Amphur Bangpa-In | 13160 Ayutthaya  
Tel. 035 220088 | Fax 035 221188  
info@stiebel-eltronasia.com  
www.stiebel-eltronasia.com

## United Kingdom and Ireland

STIEBEL ELTRON UK Ltd.  
Unit 12 Stadium Court  
Stadium Road | CH62 3RP Bromborough  
Tel. 0151 346-2300 | Fax 0151 334-2913  
info@stiebel-eltron.co.uk  
www.stiebel-eltron.co.uk

## United States of America

STIEBEL ELTRON, Inc.  
17 West Street | 01088 West Hatfield MA  
Tel. 0413 247-3380 | Fax 0413 247-3369  
info@stiebel-eltron-usa.com  
www.stiebel-eltron-usa.com

**STIEBEL ELTRON**



Irrtum und technische Änderungen vorbehalten! | Subject to errors and technical changes! | Sous réserve d'erreurs et de modifications techniques! | Onder voorbehoud van vergissingen en technische wijzigingen! | Salvo error o modificación técnica! | Excepto erro ou alteração técnica | Zastrzeżone zmiany techniczne i ewentualne błędy | Omyly a technické změny jsou vyhrazeny! | A muszáki változtatások és tévedések jogát fenntartjuk! | Отсутствие ошибок не гарантируется. Возможны технические изменения. | Chyby a technické zmeny sú vyhradené!

Stand 9535