

Functions

- Manual control via series switch (three-stage) or push-button
- With humidity-temperature sensor and filter change indicator
- Control via control signal of the TAC
- Fan type and functions of the connected devices adjustable via coding switch
- Integrated time delay with optional interval operation

Technical specifications

Operating voltage: 12 V DC
Functional voltage range: 0-10 V
Operational switching current: max. 5 A
Connected load: max. 60 W

Power supply units to be used:
Output voltage: 12 V DC SELV

Using the power supply unit 5/NT18 you can connect a maximum of 3 e⁹⁰ or 6 e² (3 pairs) or 1 RA 15-60 to a Universal Control.

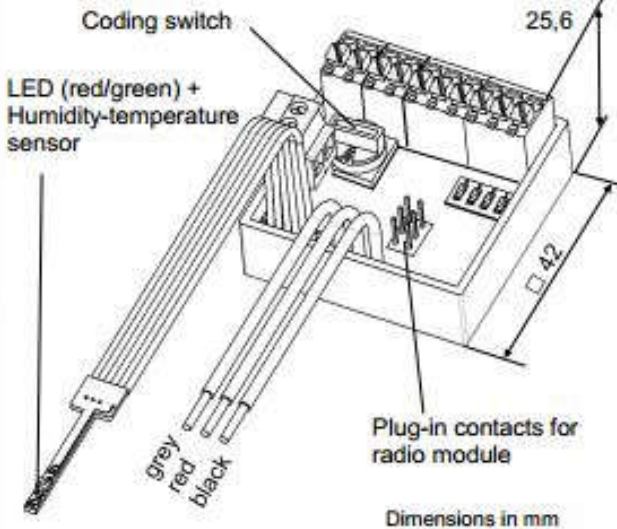
Using the power supply unit 5/NT60 you can connect a maximum of 5 e⁹⁰ or 10 e² (5 pairs) or 2 RA 15-60 to a Universal Control, which is the maximum possible number of ventilation units that can be connected to a universal control.

Using the power supply unit 5/NT100 you connect the ventilation devices to at least 2 Universal Controls, e.g. 2 Universal Controls with 10 e² (5 pairs) each.

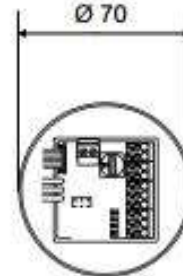
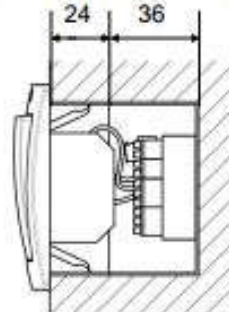
Installation

The Universal Control 5/UNI-FT can be suitably installed in a standard junction box (60 mm deep) or in a standard switch box (66 mm deep) as shown in the figure.

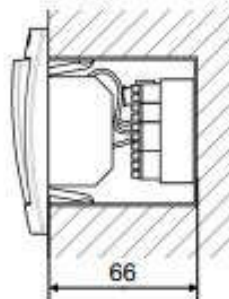
Dimensions:



Installation in junction box

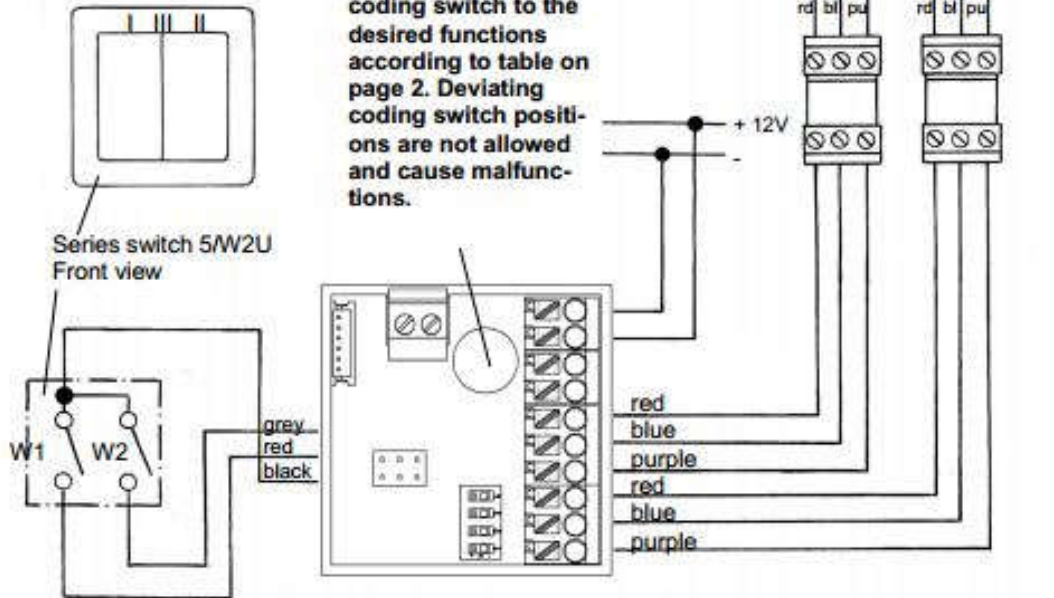


Installation in switch box

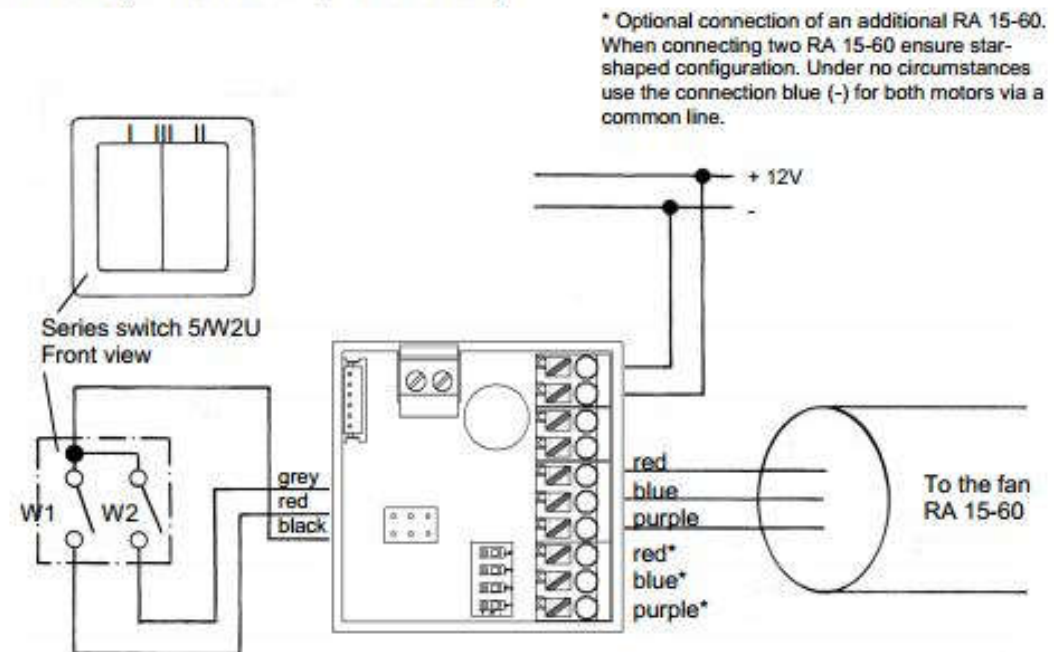


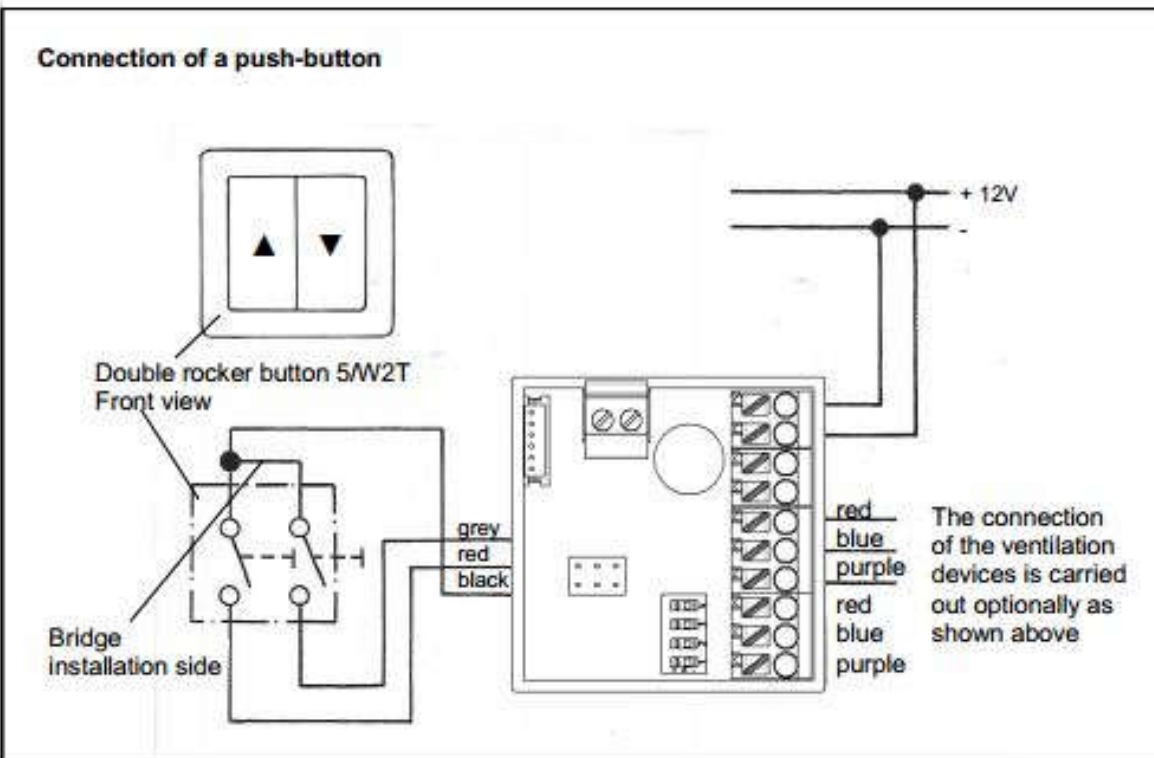
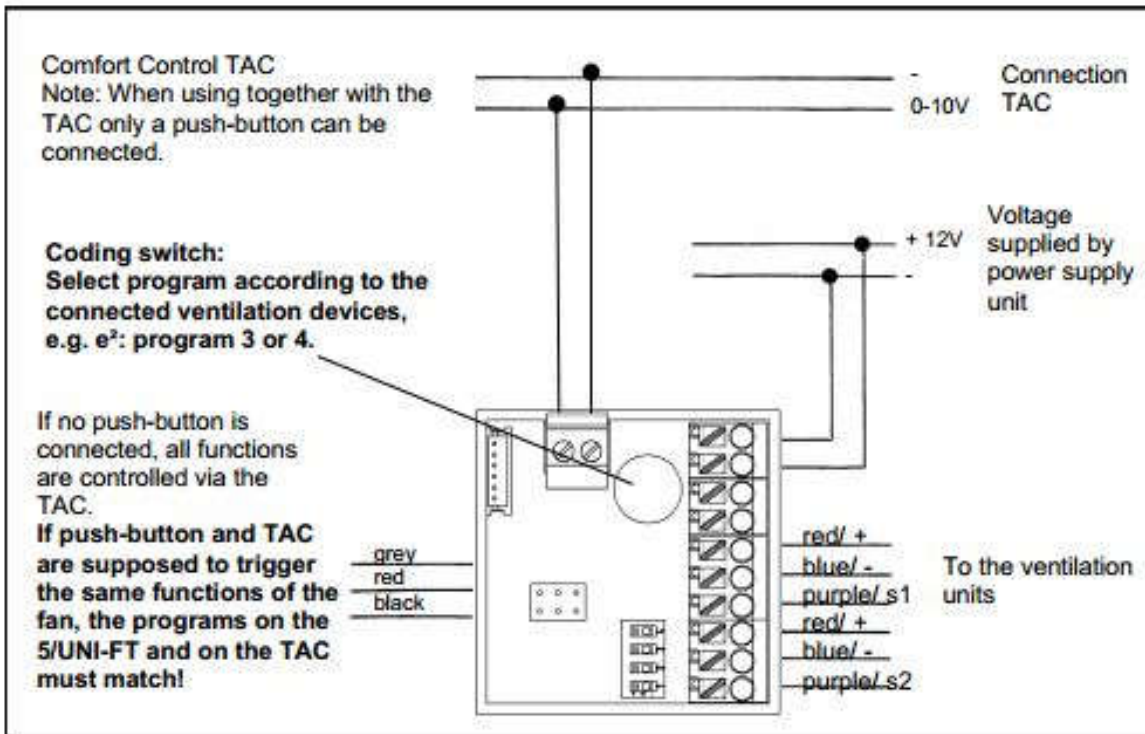
Connection diagrams

e² and e²neo (connection example with switch)



RA 15-60 (connection example with switch)





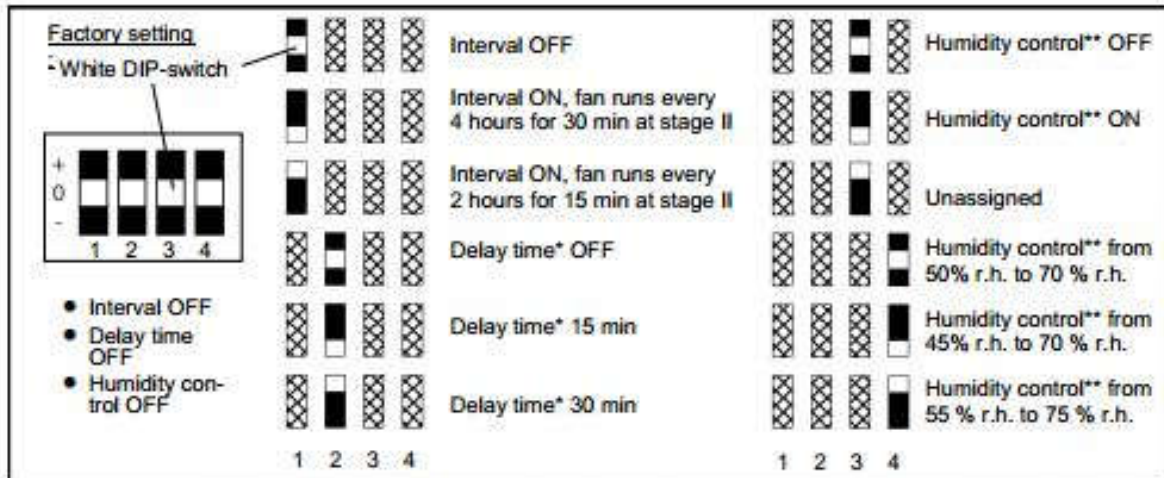
Coding switch positions - programs and airflow levels

| Coding switch position | Fan type | Functional description | Programs and airflow levels | | | | Switch: Rockers W 2 Push-button: Press Rocker W2 5 s |
|------------------------|-----------------|-----------------------------------|-----------------------------|-----------------|--------------------------|--------------------------|--|
| | | | Level 0 | Level I | Level II | Level III | |
| | | | Rocker 1 OFF | Rocker 1 ON | Rocker 1 OFF | Rocker 1 ON | |
| | | | Rocker 2 OFF | Rocker 2 OFF | Rocker 2 ON | Rocker 2 ON | |
| 0 | RA 15-60 | OFF, three-stage | OFF | 15 m³/h | 30 m³/h | 45 m³/h | 60 m³/h |
| 1 | RA 15-60 | OFF, three-stage | OFF | 15 m³/h | 30 m³/h | 60 m³/h | - |
| 2 | RA 15-60 | four-stage | 15 m³/h | 30 m³/h | 45 m³/h | 60 m³/h | - |
| 3 | e² e²neo | OFF, three-stage | OFF | 15 m³/h | 30 m³/h | 38 m³/h | summer ventilation* |
| 4 | e² e²neo | four-stage | 15 m³/h | 20 m³/h | 30 m³/h | 38 m³/h | summer ventilation* |
| 5 | e²neo | OFF, three-stage | OFF | 5 m³/h | 10 m³/h | 25 m³/h | summer ventilation* |
| 6 | e²neo | four-stage | 5 m³/h | 15 m³/h | 30 m³/h | 38 m³/h | summer ventilation* |
| 7 | e² kurz | OFF, three-stage | OFF | 15 m³/h | 30 m³/h | 38 m³/h | summer ventilation* |
| 8 | e² mini | OFF, three-stage | OFF | 5 m³/h | 10 m³/h | 20 m³/h | summer ventilation* |
| 9 | e ^{pp} | OFF, three-stage | OFF | 5 m³/h | 10 m³/h | 20 m³/h | summer ventilation* |
| A | e ^{pp} | four-stage | 5 m³/h | 10 m³/h | 15 m³/h | 20 m³/h | summer ventilation* |
| B | e ^{pp} | three-stage and ex- haust air | 5 m³/h | 10 m³/h | 20 m³/h | 45 m³/h (exhaust air) | summer ventilation* |
| C | e ^{pp} | OFF, two-stage and exhaust air | OFF | 5 m³/h | 10 m³/h | 45 m³/h (exhaust air) | summer ventilation* |
| D | e ^{pp} | two-stage and ex- haust air | 10 m³/h | 20 m³/h | 45 m³/h (exhaust air) | 45 m³/h (exhaust air) | summer ventilation* |
| E | | | | | | | |
| F | | | | | | | |

* Period of summer ventilation 8h maximum , then back to normal operation.

- When operating with a push-button the programs and airflow levels can be run through by switching up or down. 2 seconds after the last switching action the selected stage is confirmed by the LED flashing accordingly (e.g. third stage = LED flashes 3 times).
- When using a switch the filter change indicator can be reset in all program versions by pressing the rocker switch W1 one time within 3 seconds. When using a push-button the filter change indicator is reset by pressing the key „▲“ for 5 seconds. In both cases the LED flashes 3 times for confirmation.
- Summer ventilation: In this function the reversing time of the fan is extended to one hour, i.e. the fan will run for one hour in the supply air mode and the following hour in the exhaust air mode etc..
When using a push-button the function „summer ventilation“ can be set by pressing the key „▼“ for 5 seconds; confirmation is provided by the LED illuminating for 3 seconds continuously. The function „summer ventilation“ can be switched off in the same way, here the LED will confirm by illuminating for 1 second.
When using a switch the function „summer ventilation“ is activated by pressing the rocker switch 2 once and deactivated in the same way.
- With activated humidity control and switch position stage 0 (both rockers OFF) the fans run in humidity-sensitive operation.

DIP-Switch: Setting of the delay time and the range of humidity control



* When using a switch delay time means that the fan will continue to run after the set stage has been switched off. When using a push-button the delay time will begin after pressing the button.

** The humidity control is active when the switch or push-button are set to stage 0, i.e. also if the fan is OFF. Complete deactivation is only possible via the DIP-switches.

Assembly of the humidity-temperature sensor with light-emitting diode in the switch

Attention! The LED and the humidity-temperature sensor are inserted in the circular opening on the bottom side of the switch provided by LUNOS.

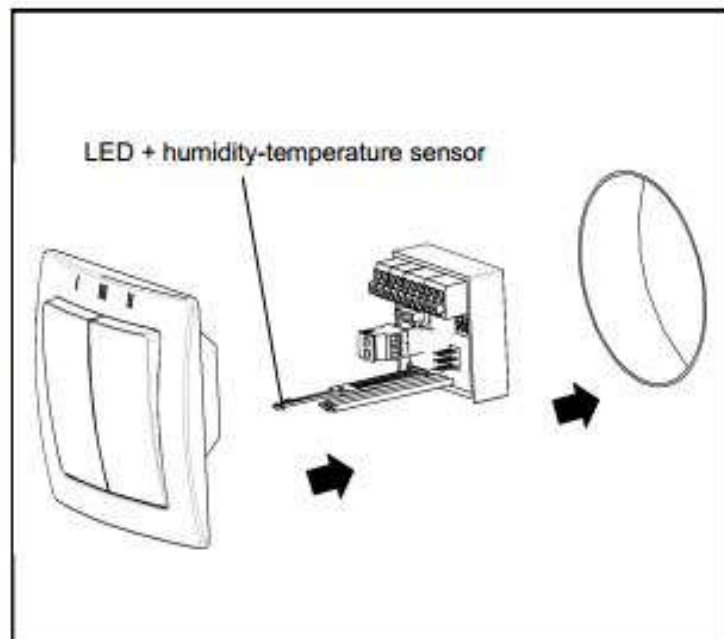
When using commercial series switches please check if there is an opening for the LED.

The assembly together with a push-button is carried out in the same way.

Activation of the humidity control is confirmed by the LED flashing twice. When humidity control is active, the LED flashes a green light every 15 seconds. If you should find this flashing disturbing (e.g. at night), you can switch it off:




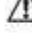
Switch: Press W1 or W2 10 times.

Push-button: Keep W1 or W2 pressed for 60 seconds.



Electrical connection

Safety instructions

-  Caution! Any assembly work (connection to power supply and setting of the miniature switches) may only be carried out after disconnecting the supply voltage.
-  Make sure that the supply voltage of all connection lines is voltage-free (dead). (Separation from the power supply with a minimum contact opening of 3 mm, e.g. electric fuse).
-  Each electric circuit of this ventilation system must be fitted with a residual current protection (e.g. FI switch/RCCB).
-  Electric connection only by a specialist.

Additional installations and electrical components in the ventilation unit are not allowed.
Connection diagrams for further fan functions upon request.

Use the following cables for the electric connection:

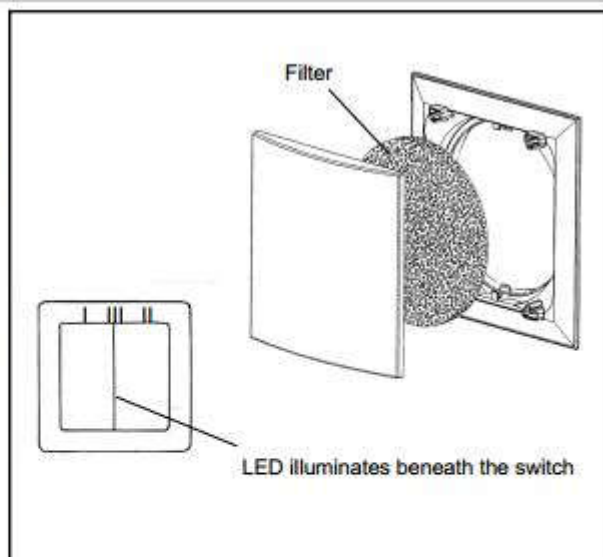
- Cable to the ventilation units: e.g. J-Y(St)Y(2x2x0,8), max. 1,5 mm²
- Cable to connect the Comfort Control TAC: e.g. J-Y(St)Y(2x2x0,8), max. 1,5 mm²
- Cable for the supply voltage of the power supply unit e.g. NYM 3 x 1,5 mm²

Changeover between operation via switch and push-button

By default, the 5/UNI-FT is set to the connection of a switch.
To connect a push-button after installation and connection to mains supply press the button „▲“ 5 times within 6 seconds. The LED will flash 5 times for confirmation. The 5/UNI-FT is thus configured for operation via push-button.

Filter replacement

A permanent red light of the LED beneath the switch signals that the filter is contaminated.
Remove front cover, take filter out, insert new or cleaned filter (filters can be cleaned e.g. in a dishwasher), put lid on.
The ventilation openings must not be blocked or covered.
Reset the filter change indicator by pressing the rocker switch W1 once.
When using a push-button press the rocker switch W1 for 3 seconds.
For the functionality of the filter change indicator in connection with the TAC or the LUNOS-KNX Control please see the corresponding instructions.



Additional parts and Replacement parts

| | | |
|---------------------------|-----------------|--------------------|
| Power supply unit 5/NT18 | 18 watts; 1,5 A | Order No.: 039 973 |
| Power supply unit 5/NT60 | 54 watts; 4,5 A | Order No.: 039 974 |
| Power supply unit 5/NT100 | 90 watts; 7,5 A | Order No.: 040 096 |



Deutschland
LUNOS Lüftungstechnik
GmbH für Raumluftsysteme
Wilhelmstr. 31
13593 Berlin

Phone +49 30 362 001-0
Fax +49 30 362 001-89
info@lunos.de
www.lunos.de

E 278 05, 16